



M-120MB 2015 Manual Capacitor Control

Bulletin
305
Page 1 2015

For Operating Instruction & Maintenance Information request Tech Bulletin 305-100

This control is designed to provide **Manual** switching of capacitors and to mount in conjunction with a four-terminal meter socket for outdoor operation. When required in the future, this manual control may be removed and an automatic control may be installed in the existing meter socket. In addition, a manual control may be used as a temporary replacement for automatic controls which require shop repair.

Other components include a 15 ampere time delay fuse, voltage test terminals, Open-Off-Close switch, 10-second time delay on "Close" and Ground Terminal on the enclosure bottom. The enclosure is non-metallic with provisions for a padlock and/or meter seal. Standard color is light grey.

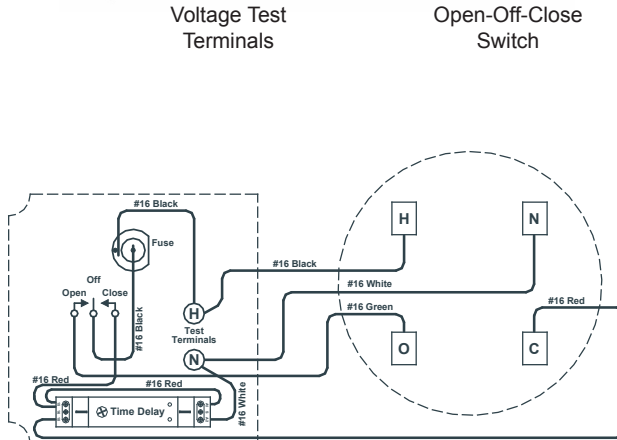
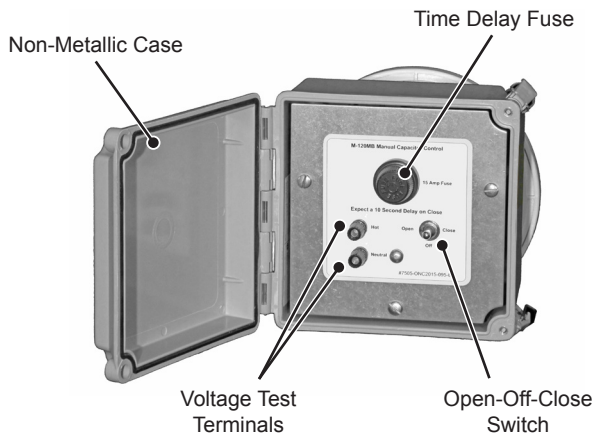


Front View



Rear View

Latch with Padlock and/or Meter Seal Top and Bottom



Faceplate Rear View

Meter Base Front View

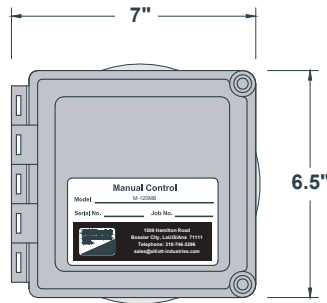
Meter Socket Front View

Catalog Number	Enclosure Non-Metallic	Connection	Nominal Voltage	Net Weight
M-120MB	Page 2 - Figure 1	Socket	120	3 lbs

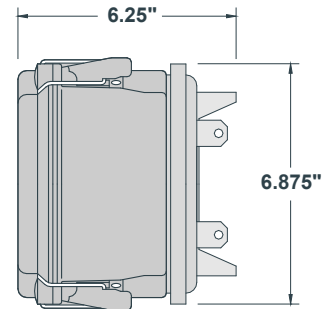
**Control Dimensions
Non-Metallic Enclosure for Meter Socket Mounting**



Figure 1



**Front View
Cover Closed**



**Side View
Latch with Padlock
and/or Meter Seal Provisions
Top and Bottom**