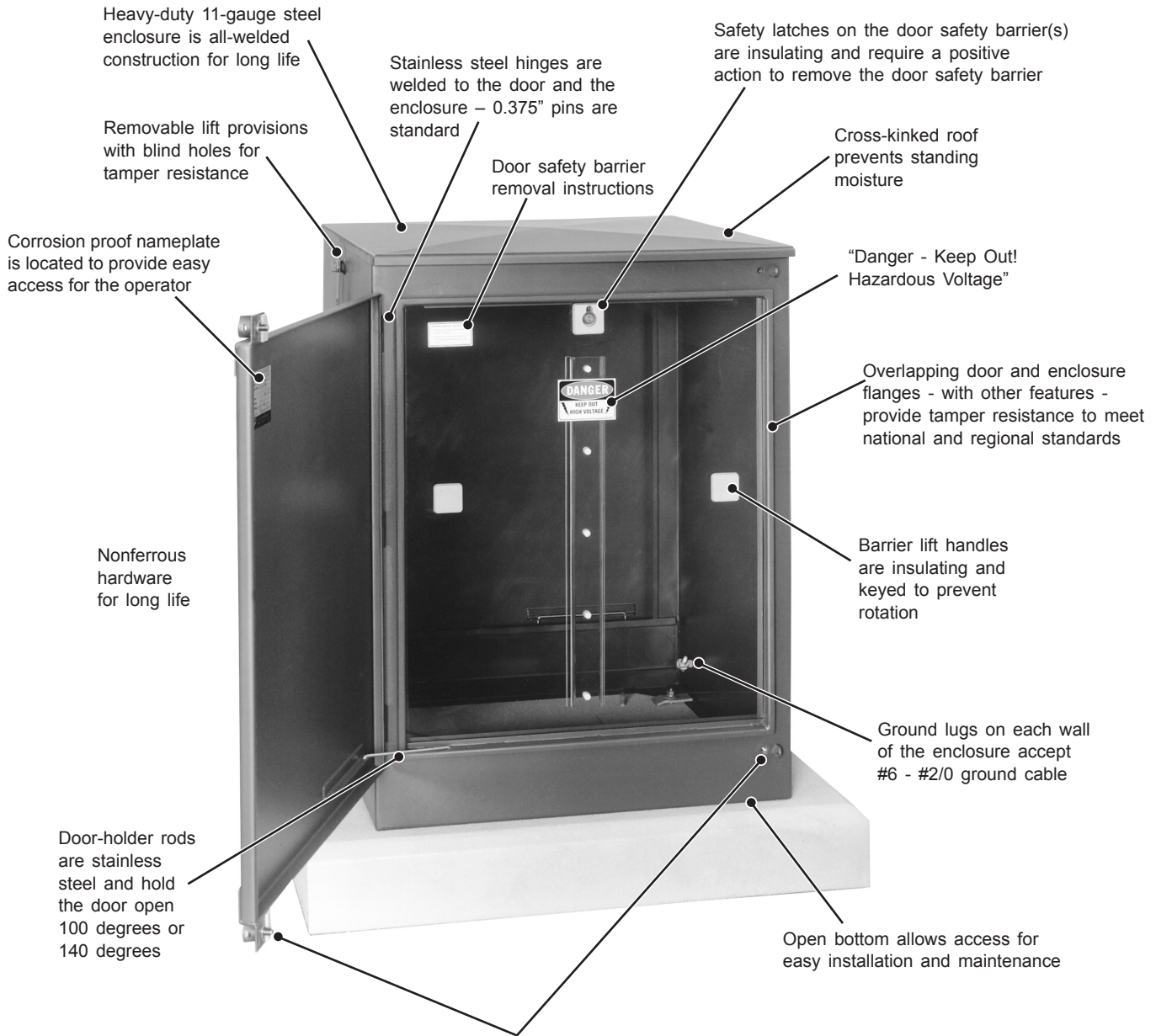


Tamper-Resistant Enclosure meets National and Regional Enclosure Integrity Standards and virtually eliminates the entrance of airborne contamination to reduce maintenance

Front or front and rear doors for easy access

Clear-polycarbonate door safety barriers, allow visual inspection without removal



Heavy-duty 11-gauge steel enclosure is all-welded construction for long life

Removable lift provisions with blind holes for tamper resistance

Corrosion proof nameplate is located to provide easy access for the operator

Nonferrous hardware for long life

Door-holder rods are stainless steel and hold the door open 100 degrees or 140 degrees

Stainless steel hinges are welded to the door and the enclosure – 0.375" pins are standard

Door safety barrier removal instructions

Safety latches on the door safety barrier(s) are insulating and require a positive action to remove the door safety barrier

Cross-kinked roof prevents standing moisture

"Danger - Keep Out! Hazardous Voltage"

Overlapping door and enclosure flanges - with other features - provide tamper resistance to meet national and regional standards

Barrier lift handles are insulating and keyed to prevent rotation

Ground lugs on each wall of the enclosure accept #6 - #2/0 ground cable

Open bottom allows access for easy installation and maintenance

Coordinated padlock and penta-head or optional hex-head bolt (top and bottom) provides bolted door security with visual confirmation by supervisory personnel. Security bolt is made captive with a stainless steel washer compressed to an oval shape to severely discourage removal.

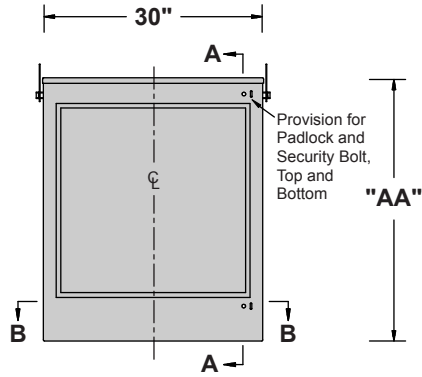
Superlife Finish

Includes phosphatizing, rust-inhibiting epoxy primer and Pad-Mount Green (Munsell 7GY 3.29/1.5) polyurethane top coat - over 5 mils dry
Optional Paint:
Grey (Munsell 5BG 7.0/0.4)

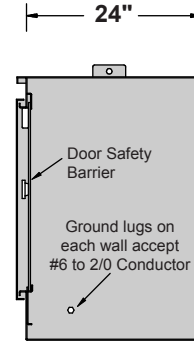
ENCLOSURE OPTIONS:

- 1) 0.125" #5052H32 Aluminum
- 2) 12-gauge #304L Stainless Steel

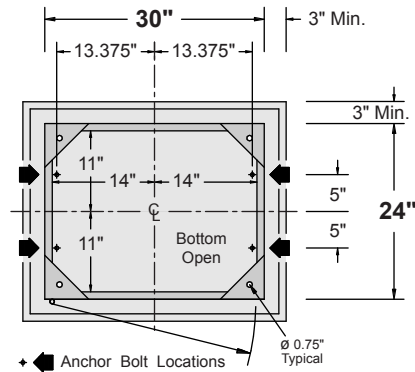
Front Access Only



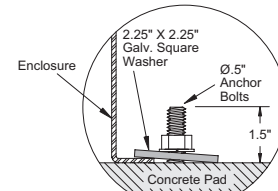
Front View
Door & Door Safety
Barrier Removed



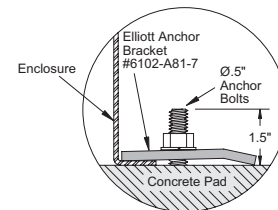
Section AA



Section BB
and Typical Pad Dimensions



Alternate #1

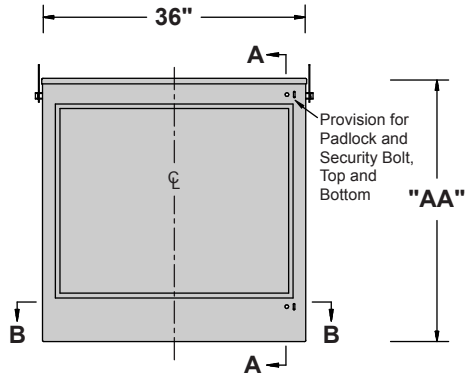


Alternate #2

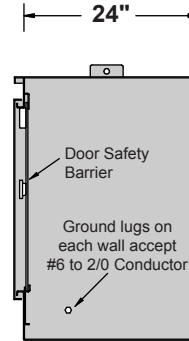
Catalog Number	Dim. "AA"
EPMFA-P-ENCL-30W24D36H	36"
EPMFA-P-ENCL-30W24D42H	42"
EPMFA-P-ENCL-30W24D48H	48"
EPMFA-P-ENCL-30W24D54H	54"

When additional enclosure height is required, a 60" or 66" high enclosure can be supplied. To order a 60" high enclosure, change the "54H" portion of the catalog number to "60H". To order a 66" high enclosure, change the "54H" portion of the catalog number to "66H".

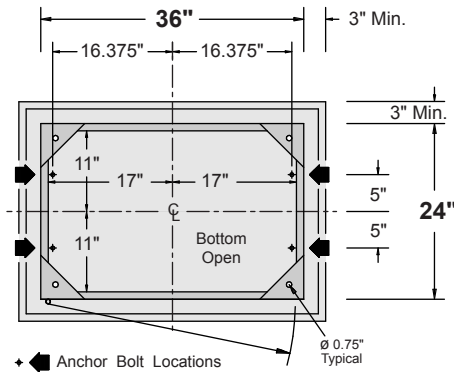
Front Access Only



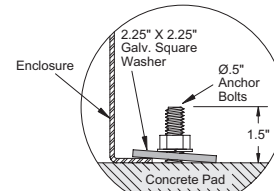
Front View
Door & Door Safety
Barrier Removed



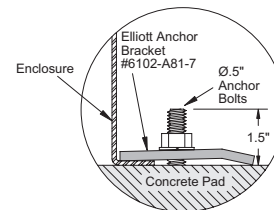
Section AA



Section BB
and Typical Pad Dimensions



Alternate #1

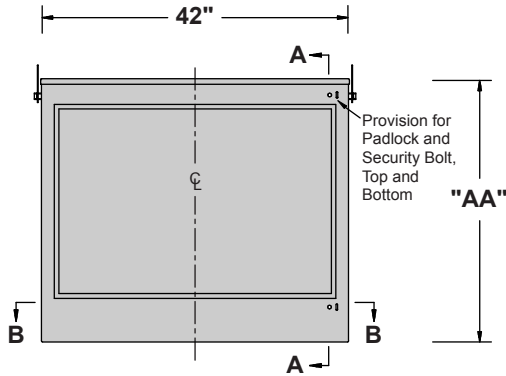


Alternate #2

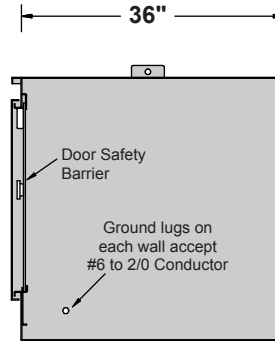
Catalog Number	Dim. "AA"
EPMFA-P-ENCL-36W24D36H	36"
EPMFA-P-ENCL-36W24D42H	42"
EPMFA-P-ENCL-36W24D48H	48"
EPMFA-P-ENCL-36W24D54H	54"

When additional enclosure height is required, a 60" or 66" high enclosure can be supplied. To order a 60" high enclosure, change the "54H" portion of the catalog number to "60H". To order a 66" high enclosure, change the "54H" portion of the catalog number to "66H".

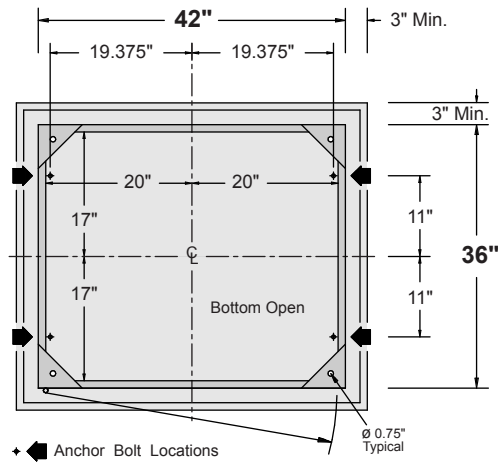
Front Access Only



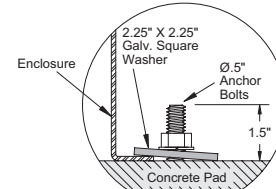
Front View
Door & Door Safety
Barrier Removed



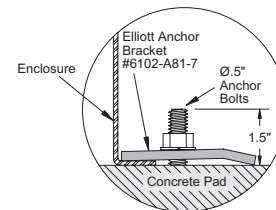
Section AA



Section BB
and Typical Pad Dimensions



Alternate #1

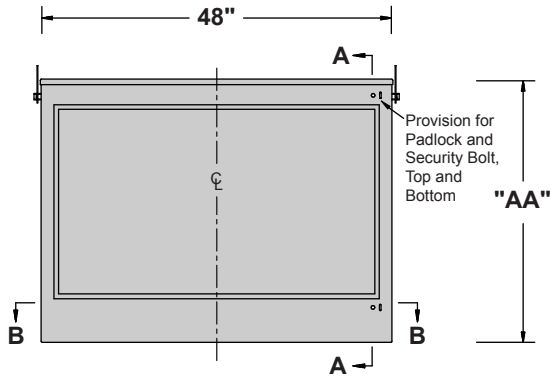


Alternate #2

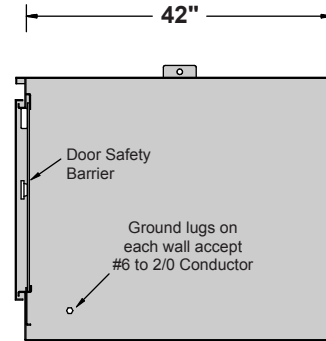
Catalog Number	Dim. "AA"
EPMFA-P-ENCL-42W36D36H	36"
EPMFA-P-ENCL-42W36D42H	42"
EPMFA-P-ENCL-42W36D48H	48"
EPMFA-P-ENCL-42W36D54H	54"

When additional enclosure height is required, a 60" or 66" high enclosure can be supplied. To order a 60" high enclosure, change the "54H" portion of the catalog number to "60H". To order a 66" high enclosure, change the "54H" portion of the catalog number to "66H".

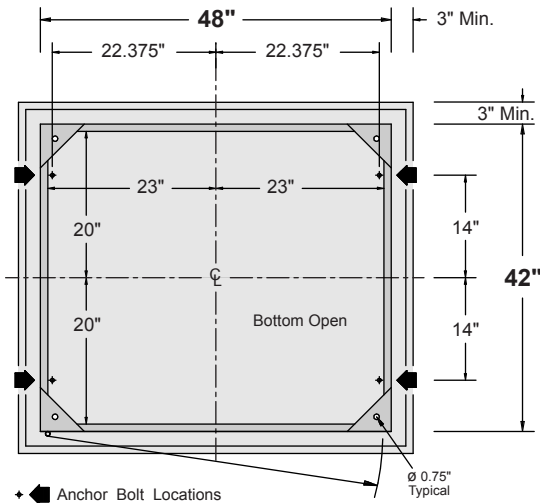
Front Access Only



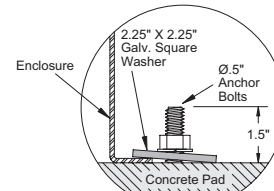
Front View
Door & Door Safety
Barrier Removed



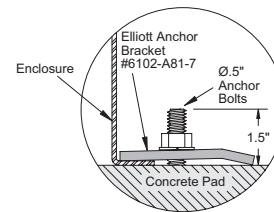
Section AA



Section BB
and Typical Pad Dimensions



Alternate #1

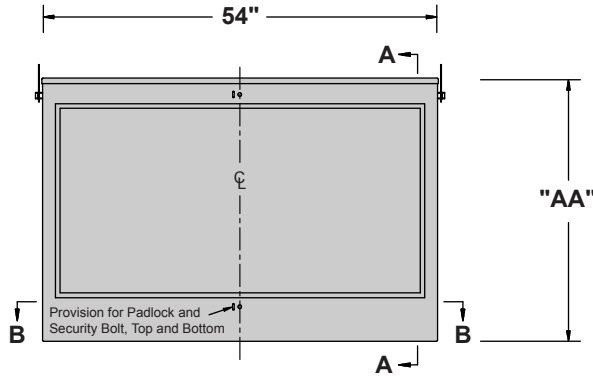


Alternate #2

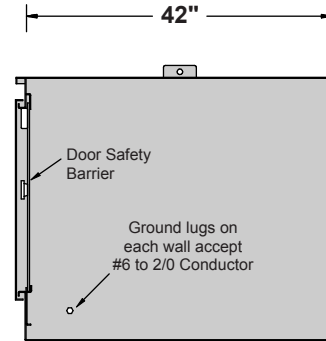
Catalog Number	Dim. "AA"
EPMFA-P-ENCL-48W42D36H	36"
EPMFA-P-ENCL-48W42D42H	42"
EPMFA-P-ENCL-48W42D48H	48"
EPMFA-P-ENCL-48W42D54H	54"

When additional enclosure height is required, a 60" or 66" high enclosure can be supplied. To order a 60" high enclosure, change the "54H" portion of the catalog number to "60H". To order a 66" high enclosure, change the "54H" portion of the catalog number to "66H".

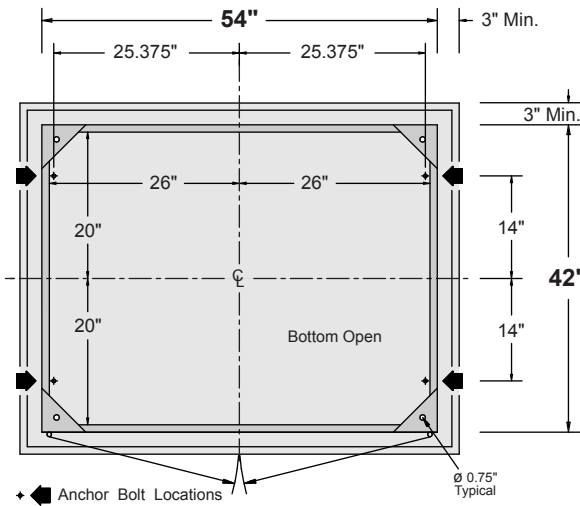
Front Access Only



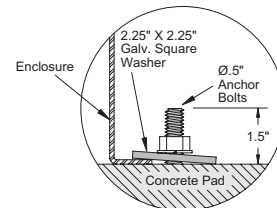
Front View
Doors & Door Safety
Barrier Removed



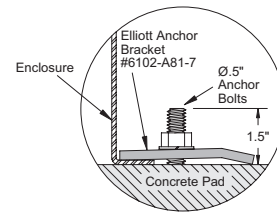
Section AA



Section BB
and Typical Pad Dimensions



Alternate #1



Alternate #2

Catalog Number	Dim. "AA"
EPMFA-P-ENCL-54W42D36H	36"
EPMFA-P-ENCL-54W42D42H	42"
EPMFA-P-ENCL-54W42D48H	48"
EPMFA-P-ENCL-54W42D54H	54"

When additional enclosure height is required, a 60" or 66" high enclosure can be supplied. To order a 60" high enclosure, change the "54H" portion of the catalog number to "60H". To order a 66" high enclosure, change the "54H" portion of the catalog number to "66H".

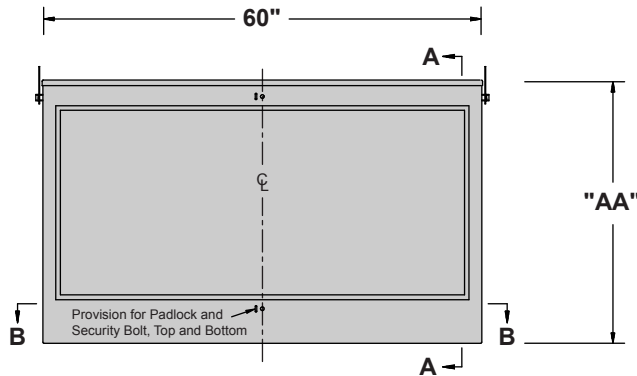


Primary Equipment Enclosure

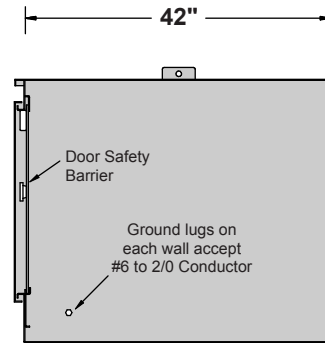
Pad-Mounted – Outdoor

Bulletin
630-060
Page 7 2015

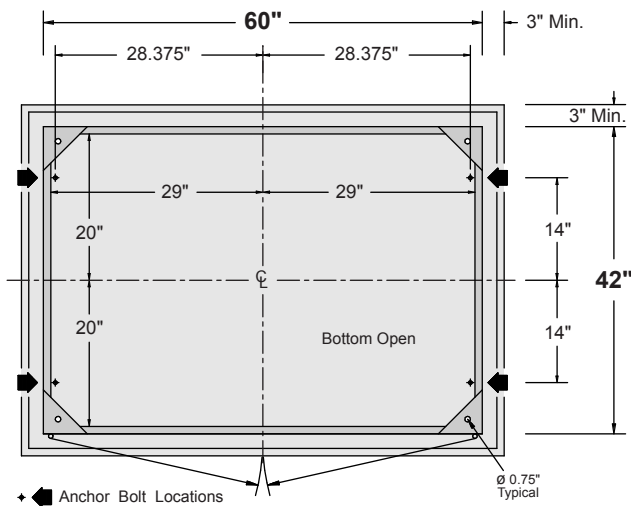
Front Access Only



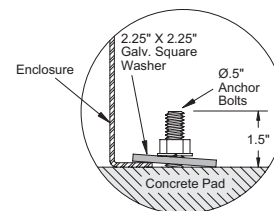
Front View
Doors & Door Safety
Barrier Removed



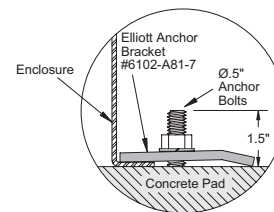
Section AA



Section BB
and Typical Pad Dimensions



Alternate #1

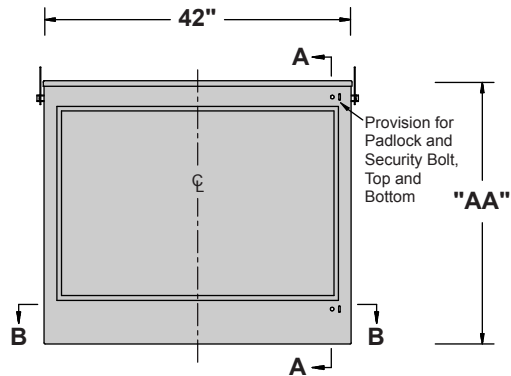


Alternate #2

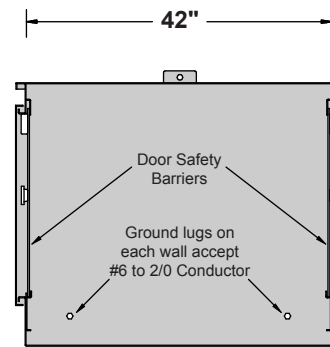
Catalog Number	Dim. "AA"
EPMFA-P-ENCL-60W42D36H	36"
EPMFA-P-ENCL-60W42D42H	42"
EPMFA-P-ENCL-60W42D48H	48"
EPMFA-P-ENCL-60W42D54H	54"

When additional enclosure height is required, a 60" or 66" high enclosure can be supplied. To order a 60" high enclosure, change the "54H" portion of the catalog number to "60H". To order a 66" high enclosure, change the "54H" portion of the catalog number to "66H".

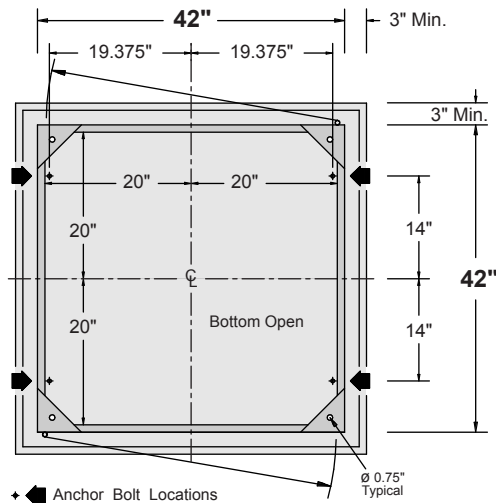
Front & Rear Access



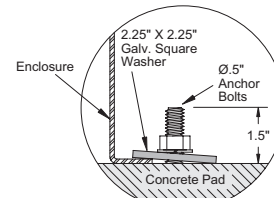
Front & Rear View
Door & Door Safety
Barrier Removed



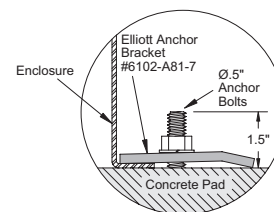
Section AA



Section BB
and Typical Pad Dimensions



Alternate #1

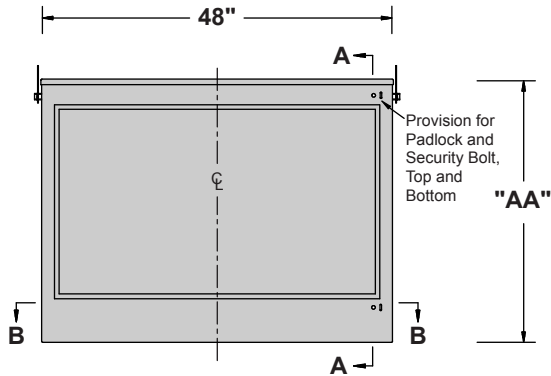


Alternate #2

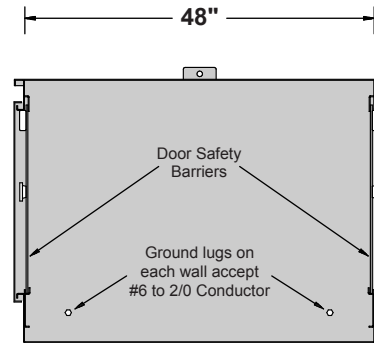
Catalog Number	Dim. "AA"
EPMFRA-P-ENCL-42W42D36H	36"
EPMFRA-P-ENCL-42W42D42H	42"
EPMFRA-P-ENCL-42W42D48H	48"
EPMFRA-P-ENCL-42W42D54H	54"

When additional enclosure height is required, a 60" or 66" high enclosure can be supplied. To order a 60" high enclosure, change the "54H" portion of the catalog number to "60H". To order a 66" high enclosure, change the "54H" portion of the catalog number to "66H".

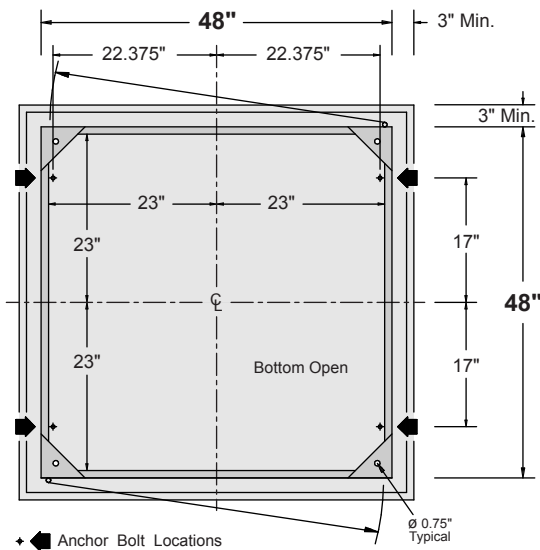
Front & Rear Access



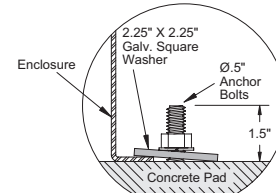
Front & Rear View
Door & Door Safety
Barrier Removed



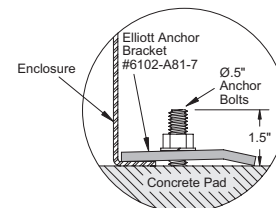
Section AA



Section BB
and Typical Pad Dimensions



Alternate #1

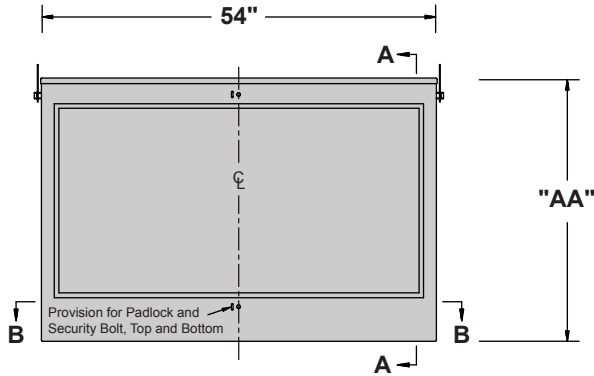


Alternate #2

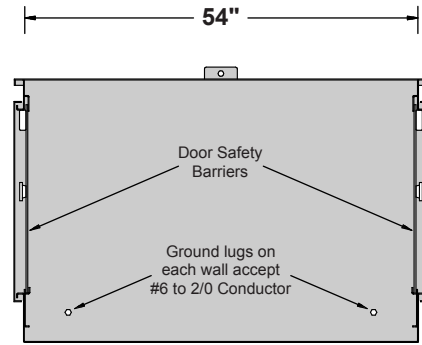
Catalog Number	Dim. "AA"
EPMFRA-P-ENCL-48W48D36H	36"
EPMFRA-P-ENCL-48W48D42H	42"
EPMFRA-P-ENCL-48W48D48H	48"
EPMFRA-P-ENCL-48W48D54H	54"

When additional enclosure height is required, a 60" or 66" high enclosure can be supplied. To order a 60" high enclosure, change the "54H" portion of the catalog number to "60H". To order a 66" high enclosure, change the "54H" portion of the catalog number to "66H".

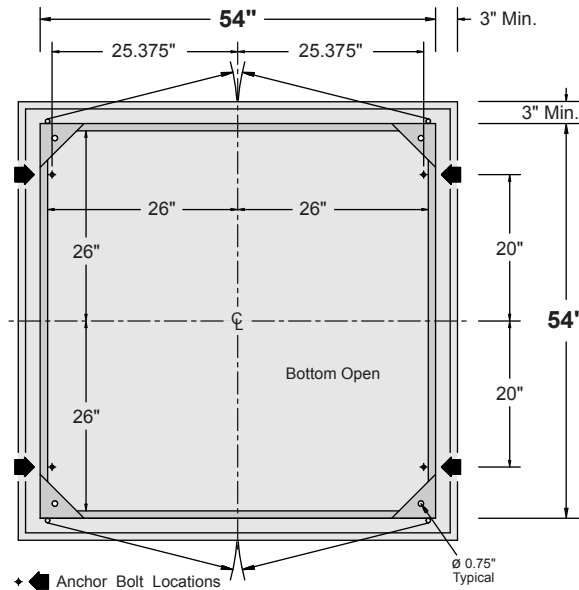
Front & Rear Access



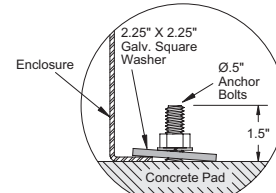
Front & Rear View
Doors & Door Safety
Barrier Removed



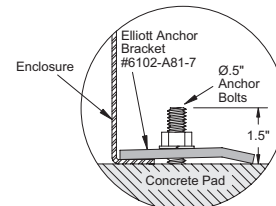
Section AA



Section BB
and Typical Pad Dimensions



Alternate #1

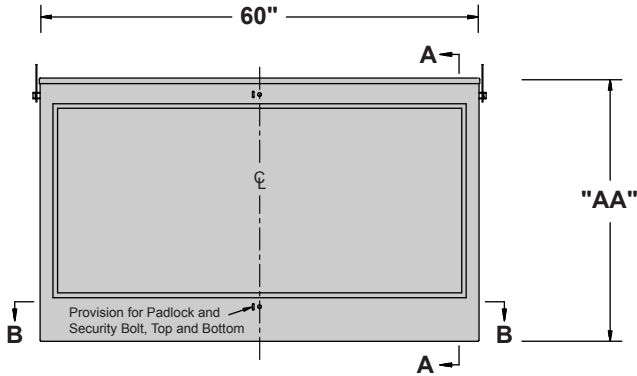


Alternate #2

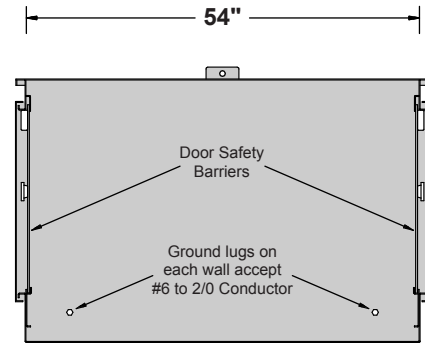
Catalog Number	Dim. "AA"
EPMFRA-P-ENCL-54W54D36H	36"
EPMFRA-P-ENCL-54W54D42H	42"
EPMFRA-P-ENCL-54W54D48H	48"
EPMFRA-P-ENCL-54W54D54H	54"

When additional enclosure height is required, a 60" or 66" high enclosure can be supplied. To order a 60" high enclosure, change the "54H" portion of the catalog number to "60H". To order a 66" high enclosure, change the "54H" portion of the catalog number to "66H".

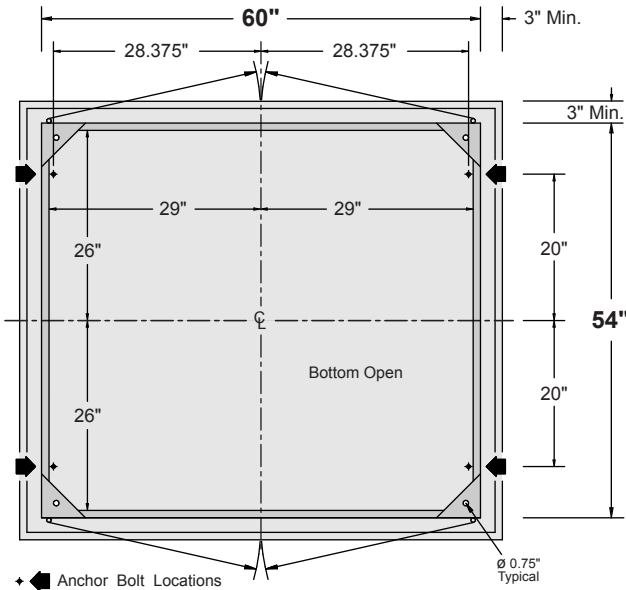
Front & Rear Access



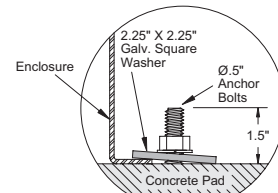
Front & Rear View
Doors & Door Safety
Barrier Removed



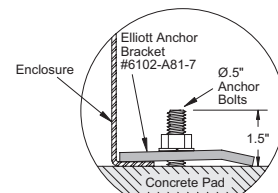
Section AA



Section BB
and Typical Pad Dimensions



Alternate #1

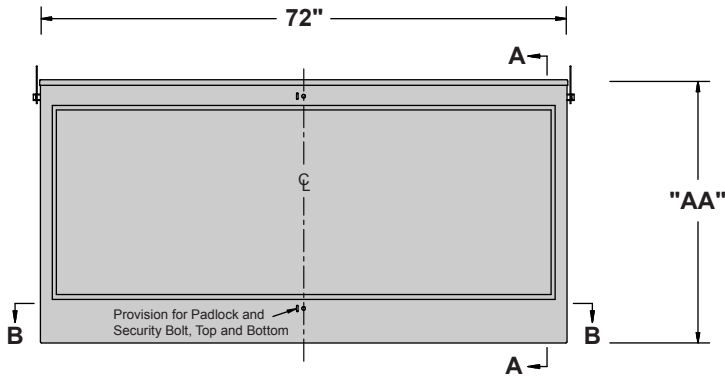


Alternate #2

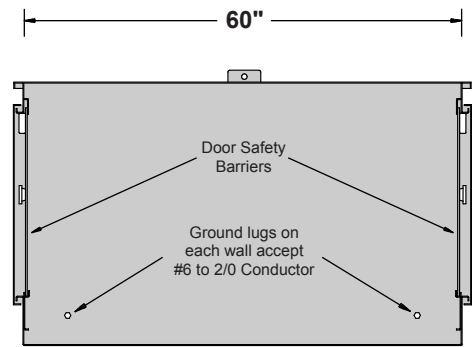
Catalog Number	Dim. "AA"
EPMFRA-P-ENCL-60W54D36H	36"
EPMFRA-P-ENCL-60W54D42H	42"
EPMFRA-P-ENCL-60W54D48H	48"
EPMFRA-P-ENCL-60W54D54H	54"

When additional enclosure height is required, a 60" or 66" high enclosure can be supplied. To order a 60" high enclosure, change the "54H" portion of the catalog number to "60H". To order a 66" high enclosure, change the "54H" portion of the catalog number to "66H".

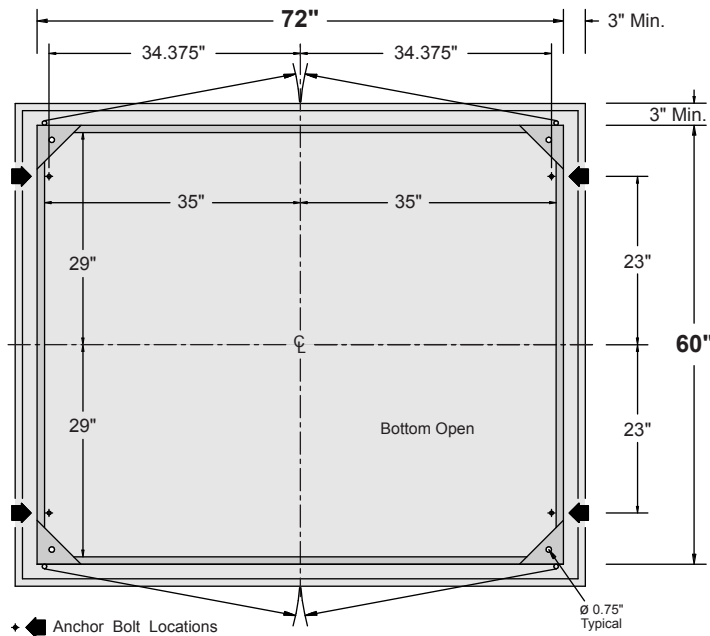
Front & Rear Access



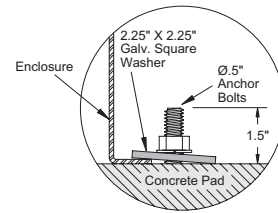
Front & Rear View
Doors & Door Safety
Barrier Removed



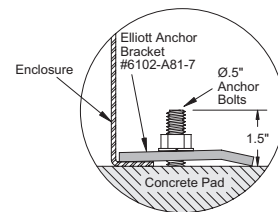
Section AA



Section BB
and Typical Pad Dimensions



Alternate #1



Alternate #2

Catalog Number	Dim. "AA"
EPMFRA-P-ENCL-72W60D36H	36"
EPMFRA-P-ENCL-72W60D42H	42"
EPMFRA-P-ENCL-72W60D48H	48"
EPMFRA-P-ENCL-72W60D54H	54"

When additional enclosure height is required, a 60" or 66" high enclosure can be supplied. To order a 60" high enclosure, change the "54H" portion of the catalog number to "60H". To order a 66" high enclosure, change the "54H" portion of the catalog number to "66H".

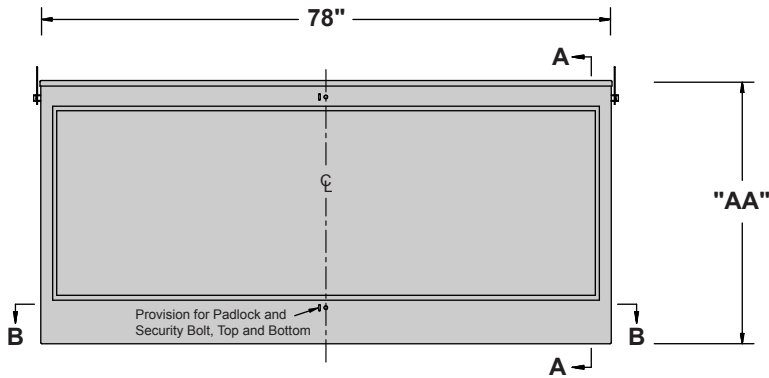


Primary Equipment Enclosure

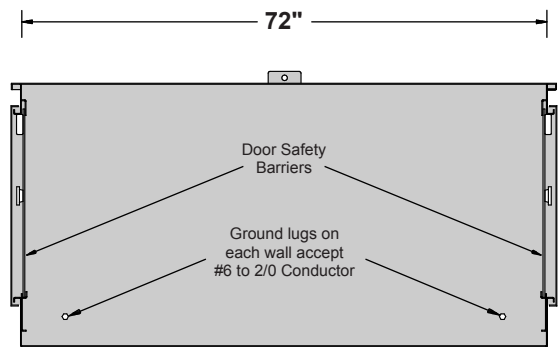
Pad-Mounted – Outdoor

Bulletin
630-060
Page 14 2015

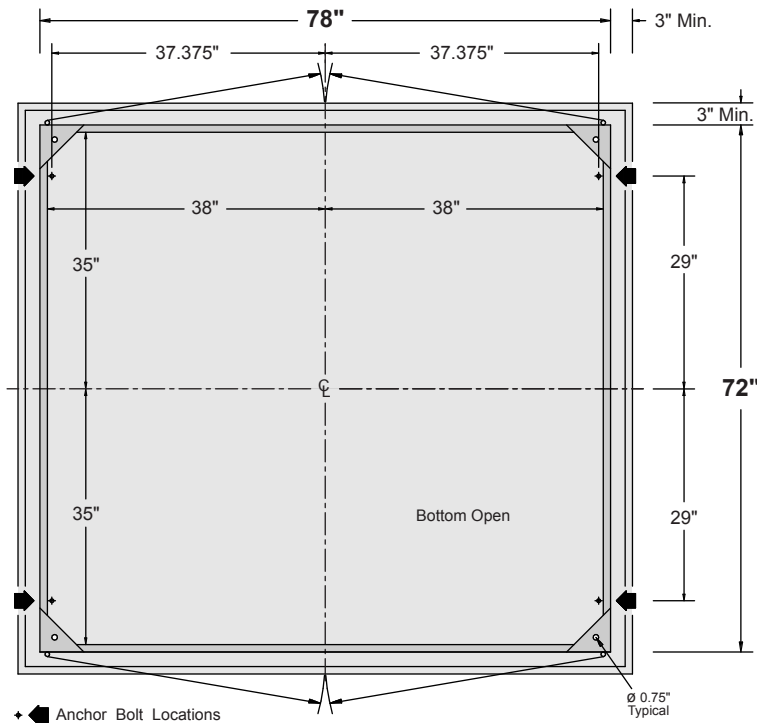
Front & Rear Access



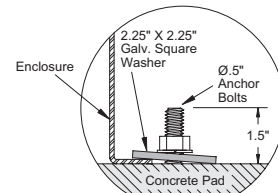
Front & Rear View
Doors & Door Safety
Barrier Removed



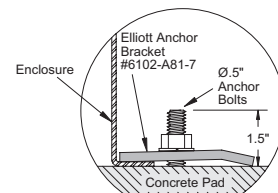
Section AA



Section BB
and Typical Pad Dimensions



Alternate #1

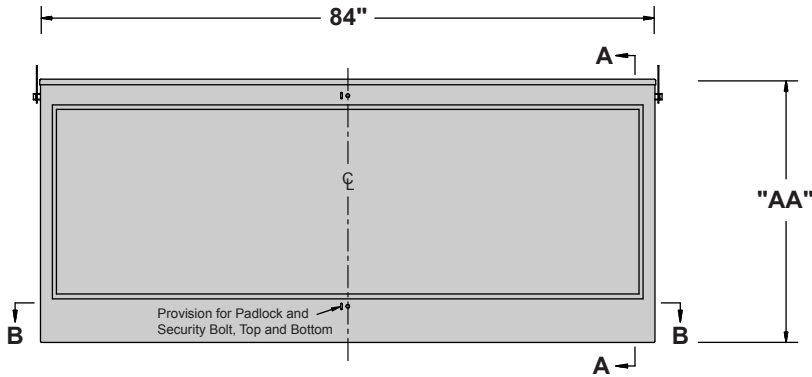


Alternate #2

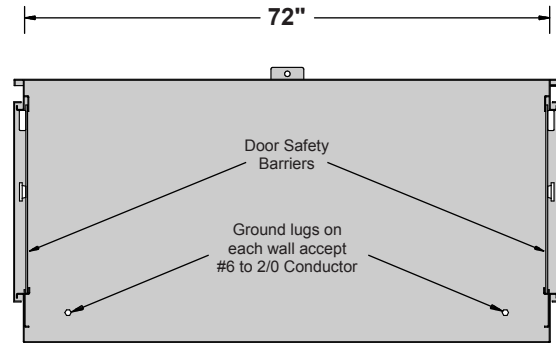
Catalog Number	Dim. "AA"
EPMFRA-P-ENCL-78W72D36H	36"
EPMFRA-P-ENCL-78W72D42H	42"
EPMFRA-P-ENCL-78W72D48H	48"
EPMFRA-P-ENCL-78W72D54H	54"

When additional enclosure height is required, a 60" or 66" high enclosure can be supplied. To order a 60" high enclosure, change the "54H" portion of the catalog number to "60H". To order a 66" high enclosure, change the "54H" portion of the catalog number to "66H".

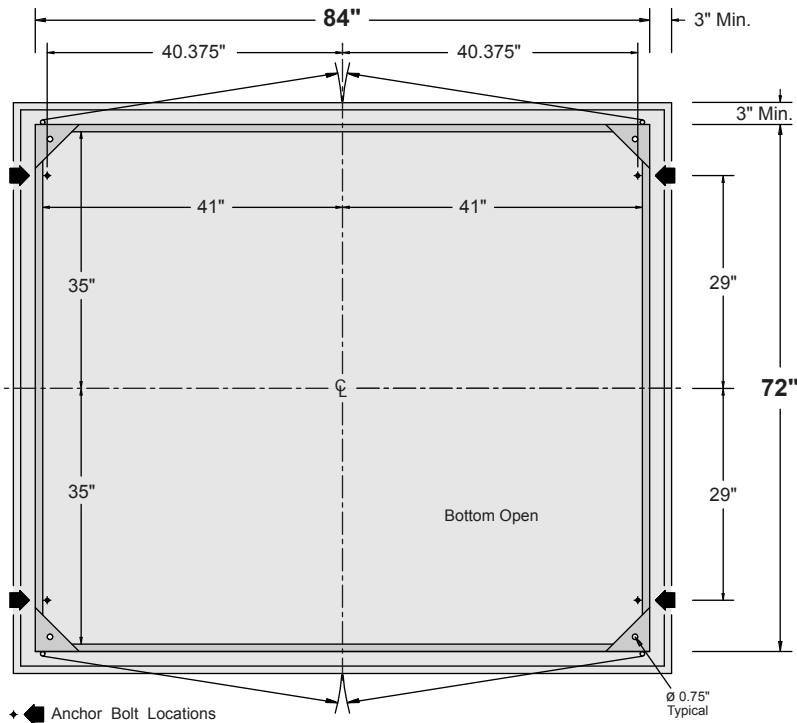
Front & Rear Access



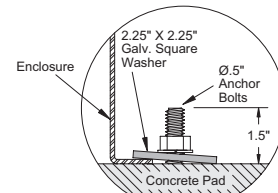
Front & Rear View
Doors & Door Safety
Barrier Removed



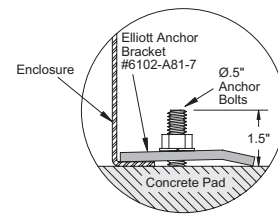
Section AA



Section BB
and Typical Pad Dimensions



Alternate #1



Alternate #2

Catalog Number	Dim. "AA"
EPMFRA-P-ENCL-84W72D36H	36"
EPMFRA-P-ENCL-84W72D42H	42"
EPMFRA-P-ENCL-84W72D48H	48"
EPMFRA-P-ENCL-84W72D54H	54"

When additional enclosure height is required, a 60" or 66" high enclosure can be supplied. To order a 60" high enclosure, change the "54H" portion of the catalog number to "60H". To order a 66" high enclosure, change the "54H" portion of the catalog number to "66H".

Typical Specification

General

The pad-mounted primary-voltage equipment enclosure shall be designed to house electrical equipment that is energized at 5 kV, 15 kV, 25 kV or 35 kV (a voltage higher than 600 volts to ground). A door safety barrier shall be provided inside the door(s) as recommended in IEEE Standard C2 (National Electrical Safety Code) Rule 381G. Tamper resistance shall meet the Enclosure Security requirements of IEEE Standard C57.12.28 (Pad-Mounted Equipment—Enclosure Integrity). Together, the tamper resistance and the door safety barrier(s) shall resist unauthorized entry, protect authorized and unauthorized persons and provide positive safety features when installed in areas accessible to the general public. The enclosure shall be constructed for outdoor installation in areas subject to heavy precipitation and in areas of windblown contamination. The equipment shall be “air-insulated” and completely assembled prior to shipment.

Enclosure Construction

The enclosure shall be tamper-resistant, all-welded construction utilizing 11-gauge minimum sheet steel. Corner plates and braces shall be used as necessary to assure rigidity. The enclosure top shall be cross-kinked to provide watershed and rigidity. The enclosure shall be open bottom with a 1-inch flange inside, all around. The door(s) shall be furnished with a stainless steel door holder that will latch the door open 100 degrees and 140 degrees and resist accidental closing. Door(s) shall be provided with provisions for padlocking and a recessed penta-head (or hex-head) security bolt to prevent unauthorized entry (coordinated to prevent installation of the padlock until the security bolt is tightened *when closing the door(s)* and to prevent a wrench from operating the security bolt until the padlock is removed *when opening the door(s)*). The security bolt shall be made captive with a stainless steel washer compressed to an oval shape to severely discourage removal. Hinges shall be stainless steel (with stainless steel pins not less than 0.3125-inch diameter) and shall be welded to both the enclosure and the door(s) to maintain door alignment for the life of the equipment. The enclosure shall be nonventilated to minimize the entrance of airborne contamination, insects, rodents or reptiles. The protective finish shall include necessary grinding, cleaning and phosphatizing, two-component rust-inhibiting epoxy primer and a Pad-Mount Green two-component polyurethane top coat finish (Munsell color 7GY 3.29/1.5). The primer and top coat shall be electronically monitored during application to insure proper ratio and mixing of each component. Total average thickness of paint (after curing) shall be not less than 5 mils. The protective coating shall meet the Enclosure Coating System requirements of IEEE Standard C57.12.28 (Pad-Mounted Equipment—Enclosure Integrity). Removable lift provisions, adequate to withstand handling with normal utility equipment, shall be provided on the outside of the enclosure. Threaded openings for lift provision bolts shall be blind holes to prevent

the entrance of wire or other foreign objects into the enclosure when lift provisions are removed.

Barriers

A removable insulating barrier with a “DANGER – Keep Out! – Hazardous voltage” sign, Elliott #7203-D2003-309, shall be located inside the door(s) as recommended in Rule 381G of IEEE Standard C2 (National Electrical Safety Code). The door safety barriers shall be constructed of 0.25-inch clear-polycarbonate (Lexan or equal) and *shall completely close the door opening* and be provided with a nonconductive safety latch requiring a positive action to remove the barrier. Handles and other hardware extending through this door safety barrier shall be nonconductive material. Handles shall be keyed to prevent rotation for secure handling. *Complete visual inspection of the internal components shall be possible without removing the door safety barrier.*

Grounding Provisions

Two or four high-conductivity bronze eyebolt-type ground lugs, which accept #6 through #2/0 copper conductor, shall be installed on the inside walls of the enclosure (located on each side of each door opening in an accessible position as shown on the drawings).

Accessory Equipment

A corrosion proof nameplate with permanent thermal transfer printing shall be installed inside one enclosure door. It shall be located at the top corner farthest from the enclosure when the door is open. The nameplate will provide Type of Equipment, Model Number, Amps Continuous, kV Maximum, BIL, Serial Number, Job Number, Date Manufactured and Weight of Equipment.

When specified, four anchor-bolt brackets, Elliott #6102-A81-7 or approved equal, shall be supplied with each enclosure to provide a means of clamping the equipment to the concrete pad.

When specified, one “Warning - Keep Out! - Hazardous Voltage” sign, Elliott #7201-W2003-316, shall be provided on the outside of each door.

Packaging

Each enclosure shall be bolted to a solid-top wood pallet (to prevent the forks of a forklift truck from entering the open bottom of the equipment) to prevent hidden damage. The equipment shall be wrapped with 0.125-inch thick polyethylene foam or other suitable material to minimize damage to the finish during shipment.

Drawings

When specified, drawings shall be furnished for each enclosure that include:

- 1) enclosure dimensions and location of components.
- 2) proposed pad dimensions and location of anchor bolts.