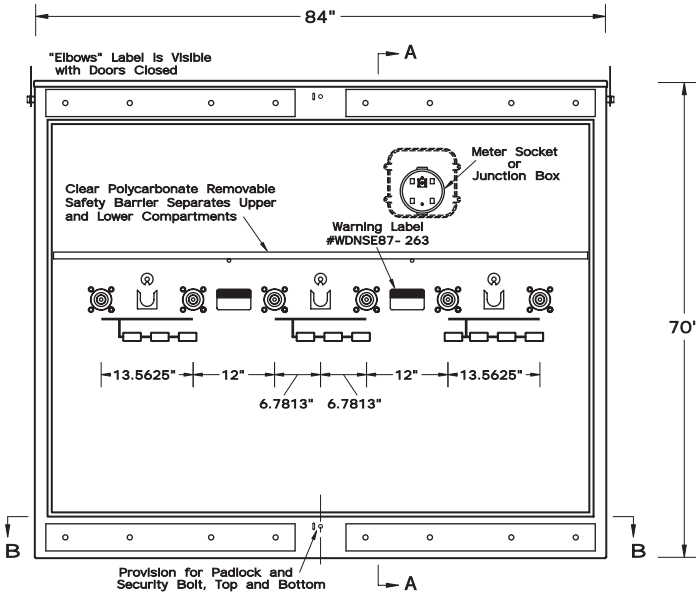
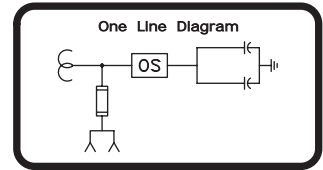
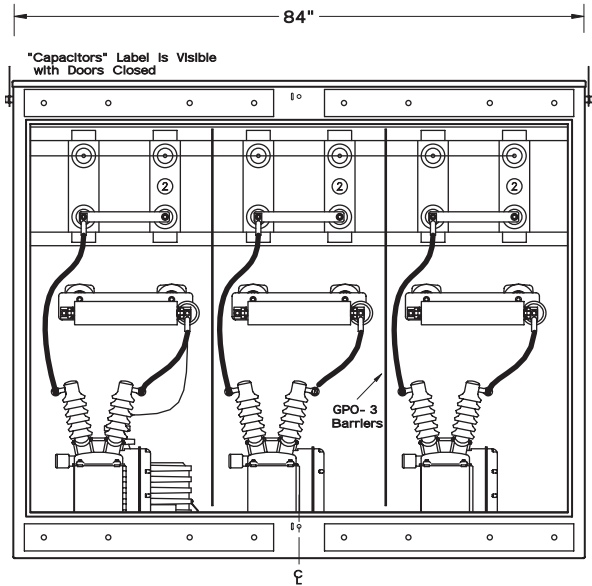


EPM-PCS-25-320P-E2-GCM6-2S-CCD

Three Phase - Two Ways per Phase
 1800 KVAR Max Design
 200-Amp Elliott Air-Insulated Bushing Wells
 125-Amp (Max) 15.5 kV Clip-Mounted Code 6 Fuse Provisions
 14.4/24.9 kV Grounded Wye Nominal
 15.2/26.3 kV Grounded Wye Max Design
 125 kV BIL

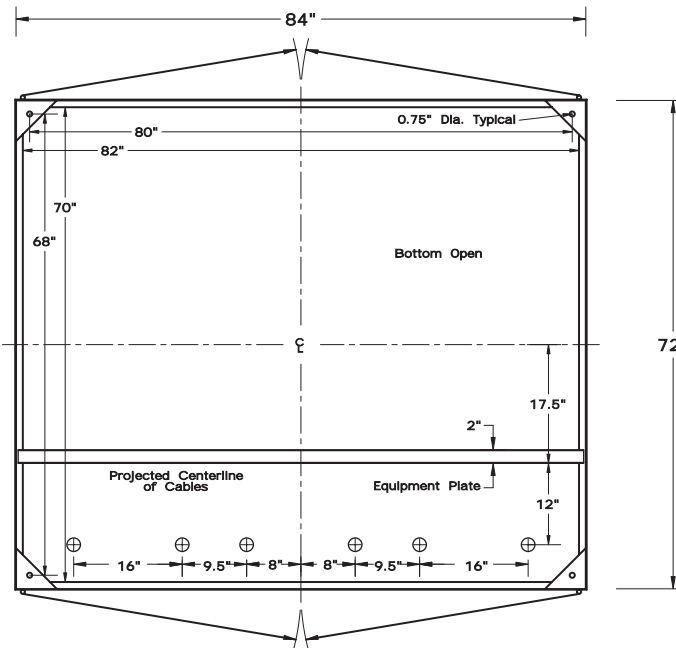


Front View
Doors Removed

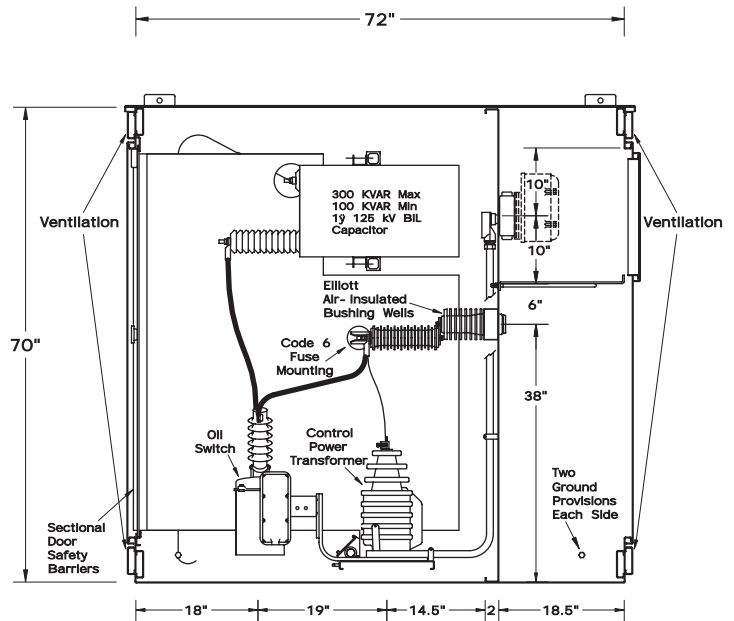


② Capacitor omitted when only one capacitor per phase.

Rear View
Doors & Door Safety Barriers Removed



Section BB



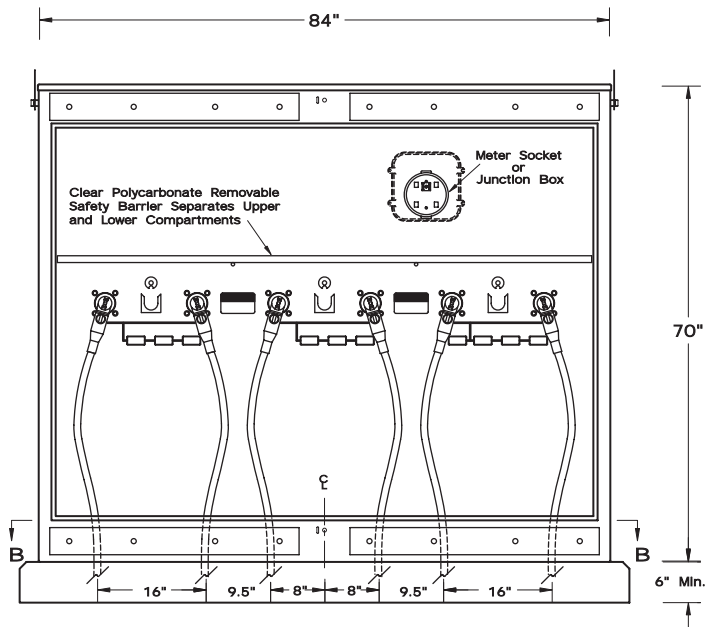
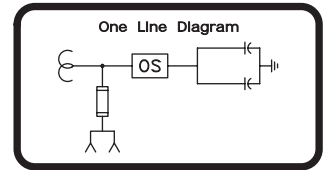
Section AA

11-Gauge Steel Enclosure
 Cross-Kinked Top
 Stainless Steel Hinges
 Stainless Steel Parking Stands
 Recessed Stainless Steel Penta-Head Security Bolts
 Clear Polycarbonate Sectional Door Safety Barriers
 Ventilation (Baffled Inside and Outside) to meet ANSI C57.12.28
 Transformer Mounting Plates Punched for all NEMA Standard CTs and VTs
 120 Volt Control Power Transformer
 Paint "Pad-Mount Green" Munsell #7GY 3.29/1.5
 8" Min Strike Distance to Ground
 10" Min Strike Distance Phase-to-Phase

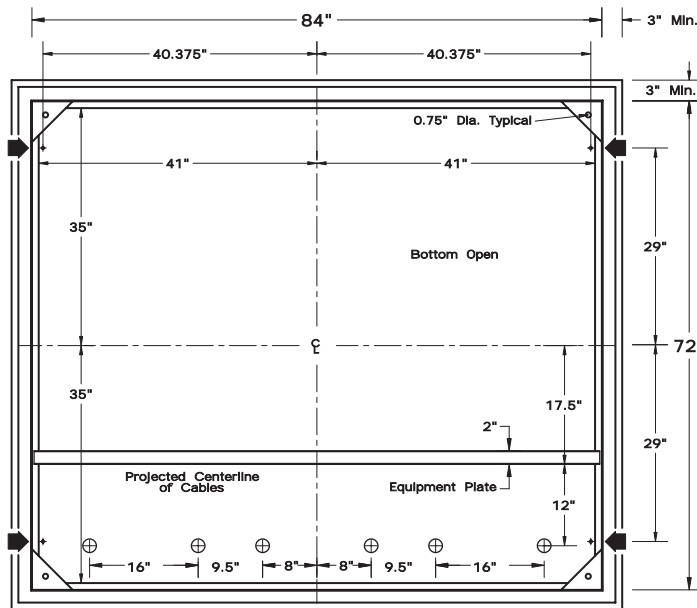
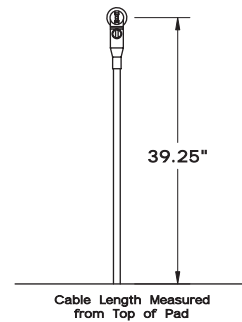
EPM-PCS-25-320P-E2-GCM6-2S-CCD Layout		
Date: 5-30-02	File: DB9048-1R0	Drawing No.:
By: MTS	Approved by: JES	89-48-1
ELLIOTT INDUSTRIES, INC.		
Bossier City, Louisiana 71171-6388 U.S.A.		

EPM-PCS-25-320P-E2-GCM6-2S-CCD

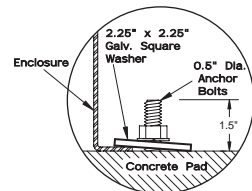
Proposed Cable Training and
Typical Pad Requirements



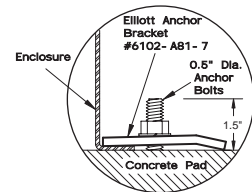
Front View
Doors Removed



Section BB



Alternate #1



Alternate #2

+ ◀ Anchor Bolt Locations

EPM-PCS-25-320P-E2-GCM6-2S-CCD			
Proposed Cable Training & Pad Requirements			
Date: 5-30-02	File: DB9048-2R0	Drawing No.:	
By: MTS	Approved by: JES	89-48-2	
ELLIOTT INDUSTRIES, INC.			
Bossier City, Louisiana 71171-6388 U.S.A.			