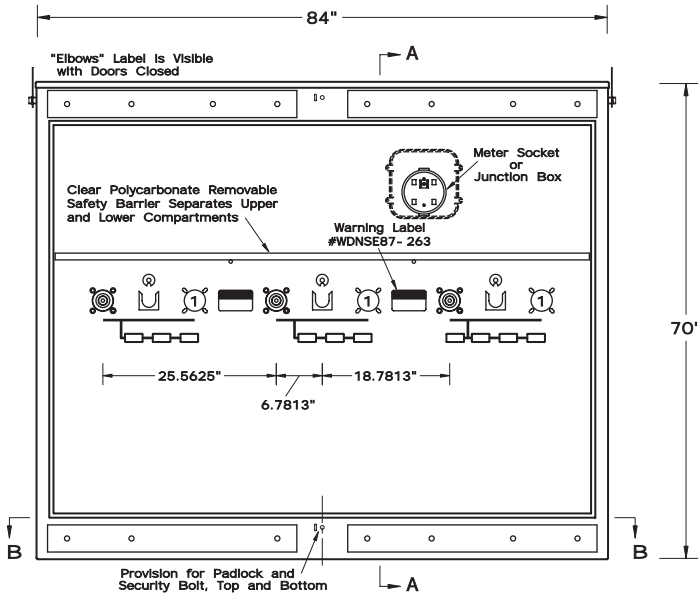
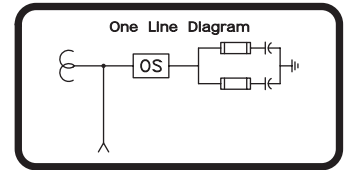
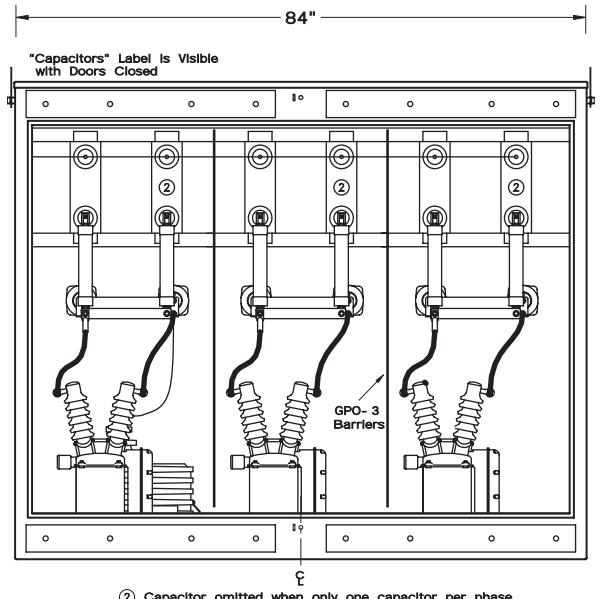


# EPM-PCS-25-310P-E2-I15-2S-CCD

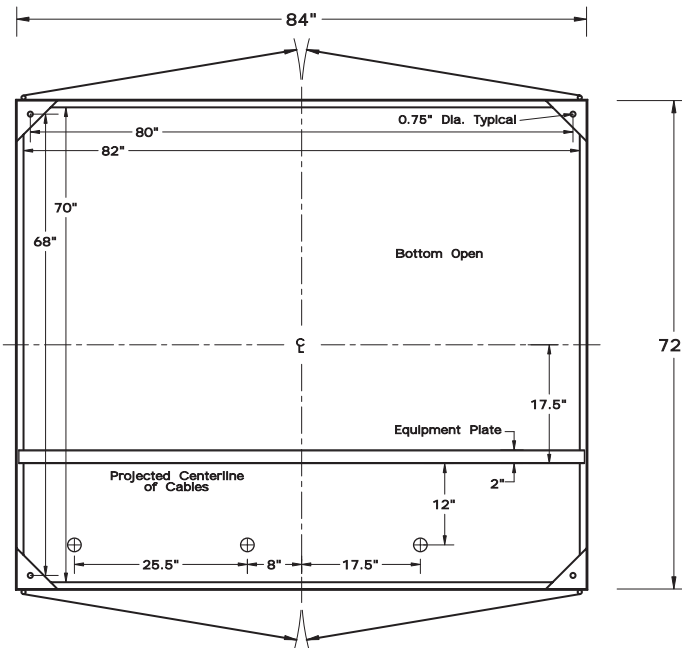
Three Phase - One Way per Phase  
 1800 KVAR Max Design  
 200-Amp Elliott Air-Insulated Bushing Wells  
 100-Amp (Max) 15.5 kV Bolted Tag Fuse Provisions  
 14.4/24.9 kV Grounded Wye Nominal  
 15.2/26.3 kV Grounded Wye Max Design  
 125 kV BIL



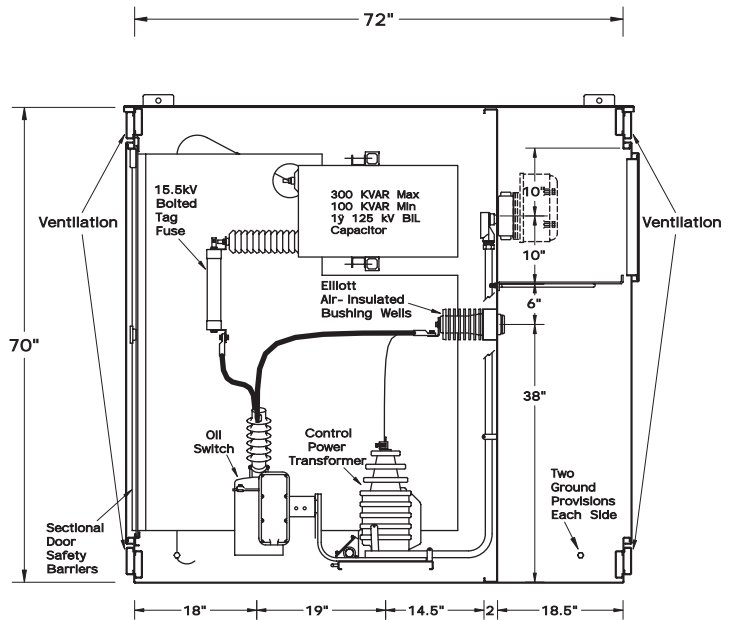
**Front View**  
Doors Removed



**Rear View**  
Doors & Door Safety Barriers Removed



**Section BB**



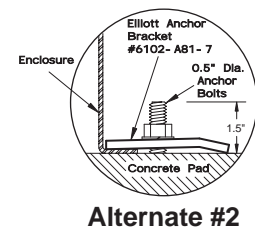
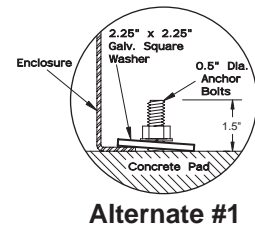
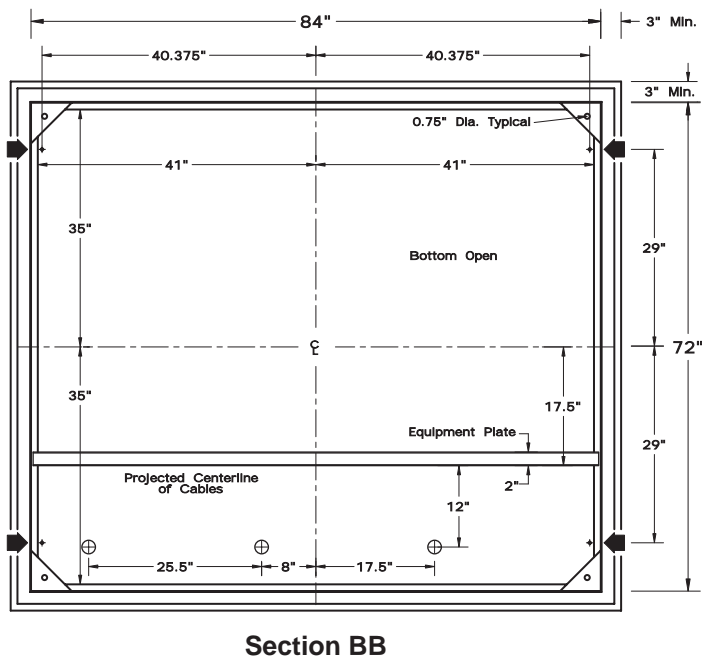
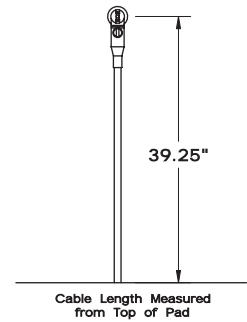
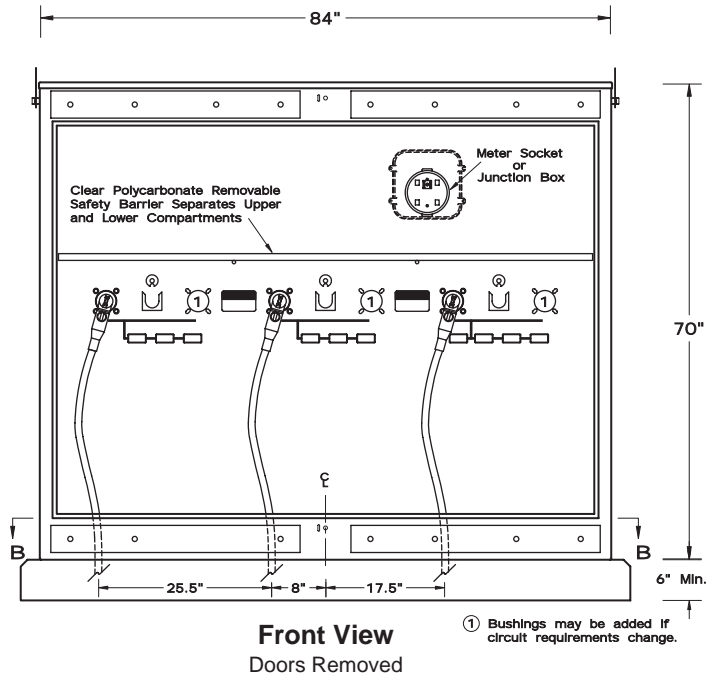
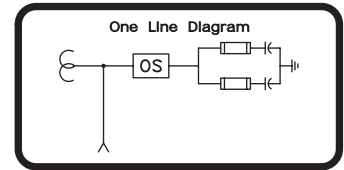
**Section AA**

- 11-Gauge Steel Enclosure
- Cross-Kinked Top
- Stainless Steel Hinges
- Stainless Steel Parking Stands
- Recessed Stainless Steel Penta-Head Security Bolts
- Clear Polycarbonate Sectional Door Safety Barriers
- Ventilation (Baffled Inside and Outside) to meet ANSI C57.12.28
- Transformer Mounting Plates Punched for all NEMA Standard CTs and VTs
- 120 Volt Control Power Transformer
- Paint "Pad-Mount Green" Munsell #7GY 3.29/1.5
- 8" Min Strike Distance to Ground
- 10" Min Strike Distance Phase-to-Phase

EPM-PCS-25-310P-E2-I15-2S-CCD Layout		
Date: 5-29-02	File: D93102-1R0	Drawing No.:
By: MTS	Approved by: JES	93-102-1
<b>ELLIOTT INDUSTRIES, INC.</b>		
Bossier City, Louisiana 71171-6388 U.S.A.		

# EPM-PCS-25-310P-E2-I15-2S-CCD

Proposed Cable Training and  
Typical Pad Requirements



+ ◀ Anchor Bolt Locations

EPM-PCS-25-310P-E2-I15-2S-CCD		
Proposed Cable Training & Pad Requirements		
Date: 5-29-02	File: D93102-2R0	Drawing No.:
By: MTS	Approved by: JES	93-102-2
<b>ELLIOTT INDUSTRIES, INC.</b>		
Bossier City, Louisiana 71171-6388 U.S.A.		