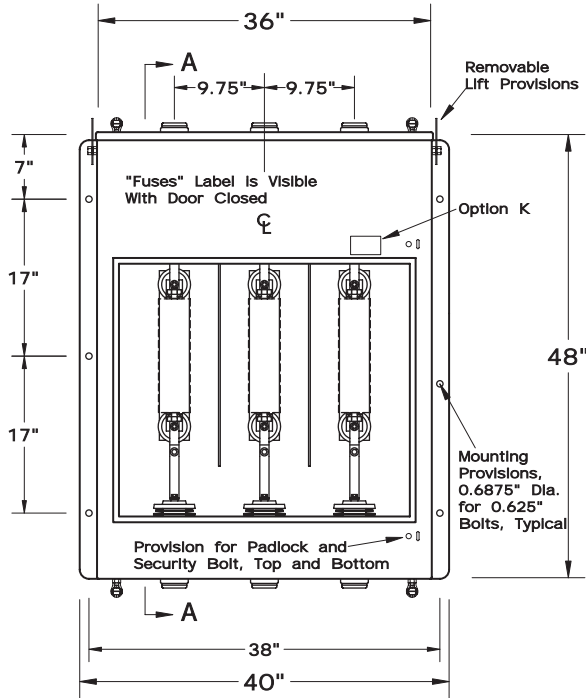
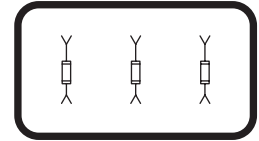


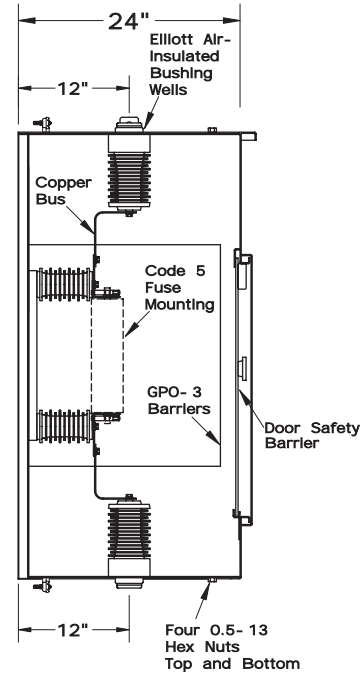
# EWMR-15-311S-E2TB-CM5

Three Phase - Two Ways Per Phase  
 200-Amp Elliott Air-Insulated Bushing Wells  
 140-Amp (Max) 8.3 kV Clip-Mounted CL Fuse Provisions  
 40-Amp (Max) 15.5 kV Clip-Mounted CL Fuse Provisions  
 8.3/14.4 kV Grounded Wye Max Design  
 95 kV BIL

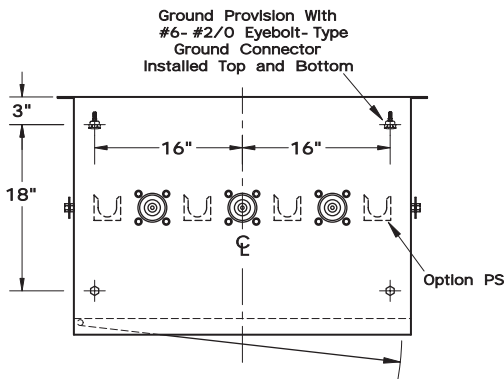


**Front View**

Door & Door Safety Barrier Removed



**Section AA**



**Top View**

Standard Paint: "Pad-Mount Green"  
 Munsell #7GY 3.29/1.5  
 Optional Paint: "Light Grey"  
 Munsell #5BG 7.0/0.4  
 Option PS: Parking Stands (Top Only)  
 Option K: Key Interlock

11-Gauge Steel Enclosure  
 Kinked Top  
 Stainless Steel Hinges  
 Recessed Stainless Steel Penta-Head (or Hex-Head) Security Bolts  
 Clear Polycarbonate Door Safety Barrier  
 6" Min Strike Distance to Ground  
 8" Min Strike Distance Phase-to-Phase

EWMR-15-311S-E2TB-CM5		
Layout		
Date: 10/04/94	File: D94248R0	Drawing No.:
By: MDW	Version: 0.0	94-248
<b>Elliott Industries, Inc.</b> Bossler City, Louisiana 71171-6388 U.S.A.		