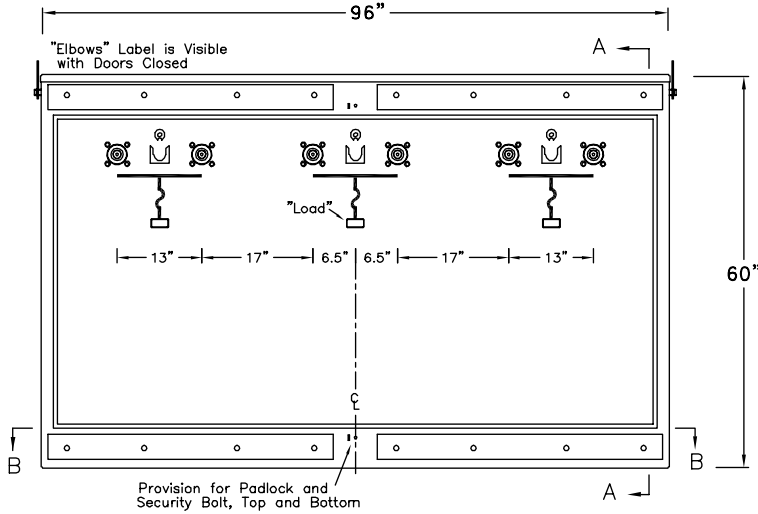
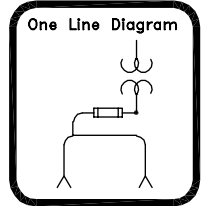
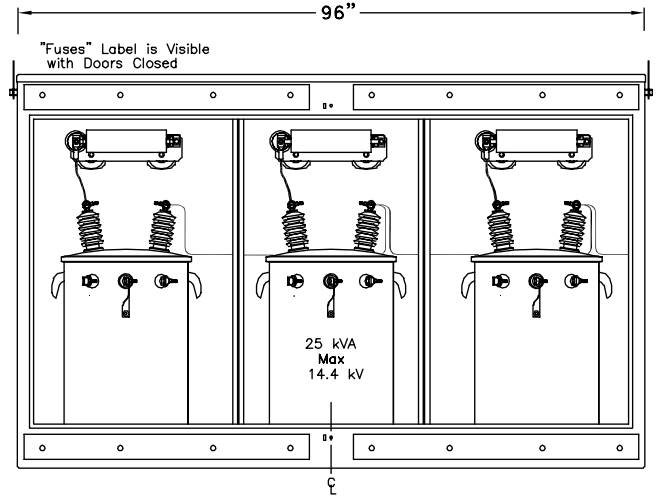


EPM-PTS-25-321P-E2-CM6-25KVA

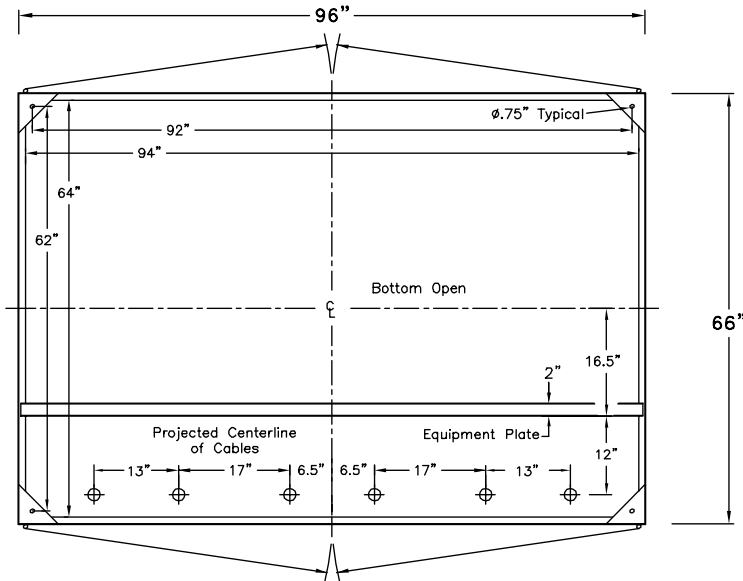
Three-Phase - Three Ways per Phase
 200 Amp Elliott Air Insulated Bushing Wells
 125 Amp (Max) 15.5 kV Clip Mounted CL Fuse Provisions
 15.2/26.3 kV Grd. Wye Max Design
 60 Hertz, 125 kV BIL



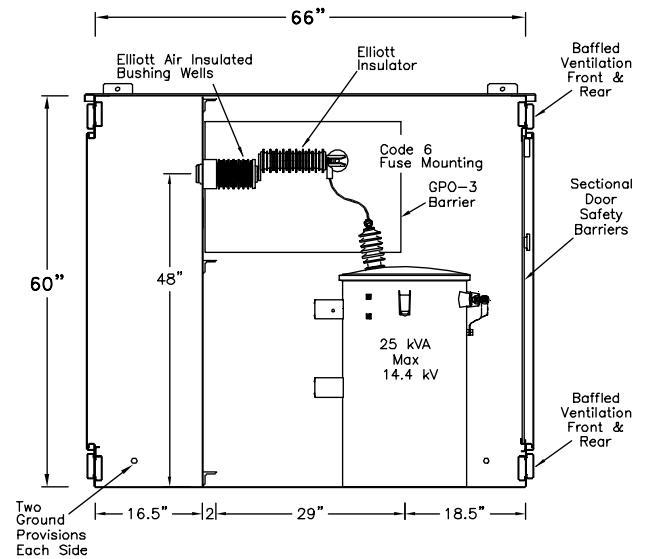
Front View
Doors Removed



Rear View
Doors & Door Safety Barriers Removed



Section BB



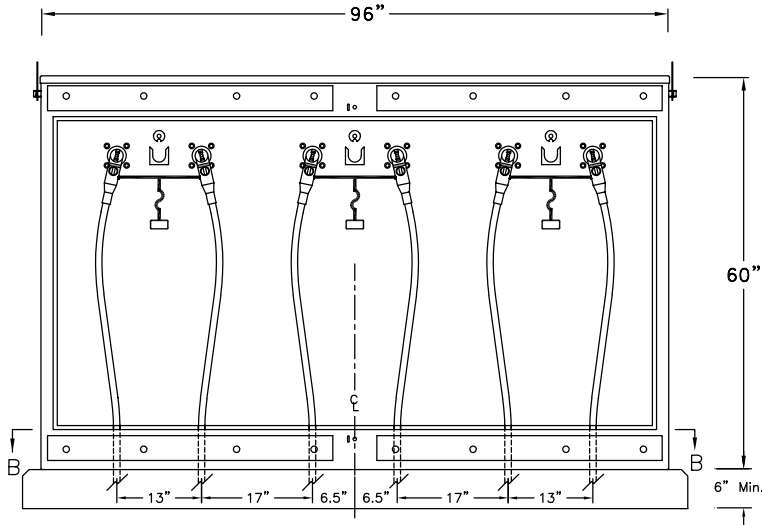
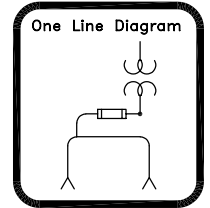
Section AA

11 Gauge Steel Enclosure
 Removable Cross Kinked Top
 Stainless Steel Hinges
 Stainless Steel Parking Stands
 Recessed Stainless Steel Penta Head Security Bolts
 Clear Polycarbonate Sectional Door Safety Barriers
 8" Min Strike Distance to Ground
 10" Min Strike Distance Phase to Phase
 Paint "Pad-Mount Green" Munsell #7GY 3.29/1.5

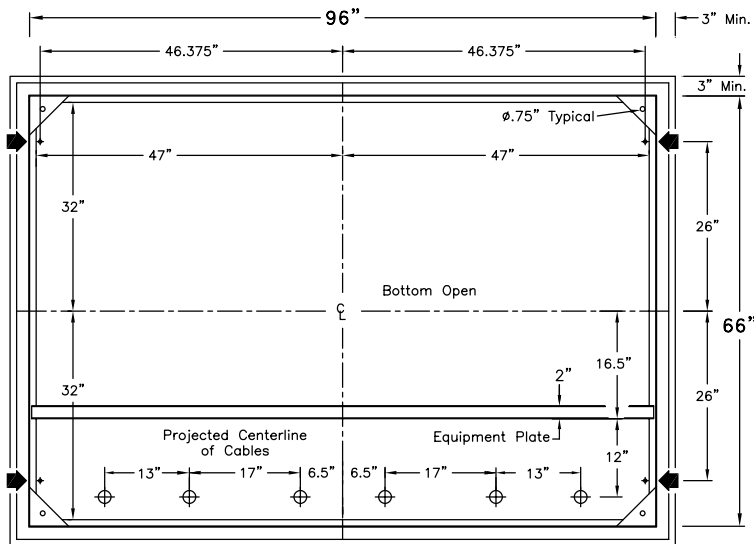
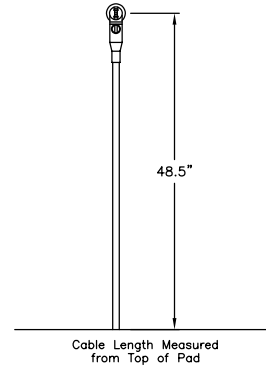
| | | |
|--|------------------|-----------------|
| EPM-PTS-25-321P-E2-CM6-25KVA Layout | | |
| Date: 09-09-99 | File: D99350RO | Drawing No.: |
| By: R.M. | Approved by: JES | 99-350-1 |
| Elliott Industries, Inc. Bossier City, Louisiana 71171-6388 U.S.A. | | |

EPM-PTS-25-321P-E2-CM6-25KVA

Proposed Cable Training and
Typical Pad Requirements

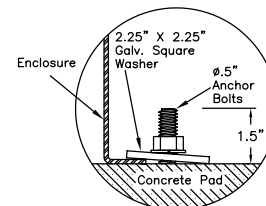


Front View
Doors Removed

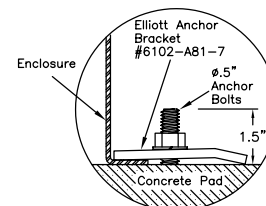


Section BB

+ Anchor Bolt Locations



Alternate #1

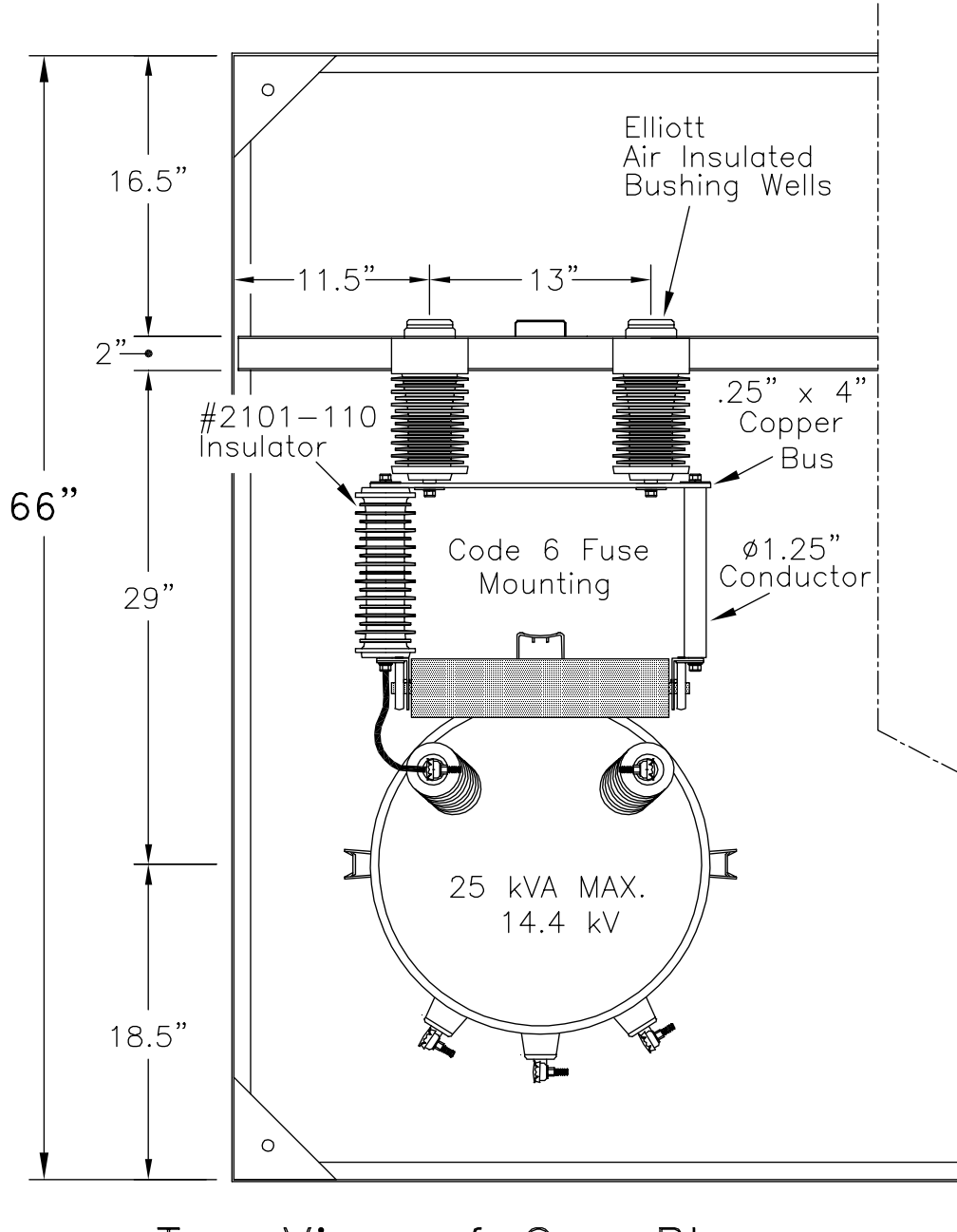
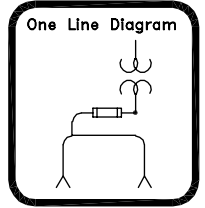


Alternate #2

| | | |
|--|------------------|--------------|
| EPM-PTS-25-321P-E2-CM6-25KVA | | |
| Proposed Cable Training & Pad Requirements | | |
| Date: 09-09-99 | File: D99350R0 | Drawing No.: |
| By: R.M. | Approved by: JES | 99-350-2 |
| Elliott Industries, Inc. | | |
| Bossier City, Louisiana 71171-6388 U.S.A. | | |

EPM-PTS-25-321P-E2-CM6-25KVA

Three-Phase - Three Ways per Phase
 200 Amp Elliott Air Insulated Bushing Wells
 125 Amp (Max) 15.5 kV Clip Mounted CL Fuse Provisions
 15.2/26.3 kV Grd. Wye Max Design
 60 Hertz, 125 kV BIL



Top View of One Phase

| | | |
|---|---------------------|--------------|
| EPM-PTS-25-321P-E2-CM6-25KVA Top View of One Phase | | |
| Date: 09-09-99 | File: D99350R0 | Drawing No.: |
| By: R.M. | Approved by: JES | 99-350-3 |
| Elliott Industries, Inc. Bossier City, Louisiana 71171-6388 U.S.A. | | |