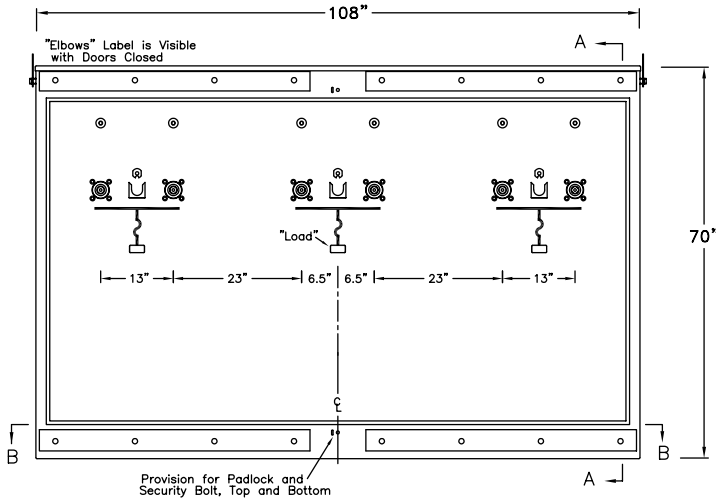
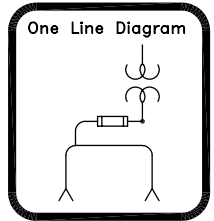
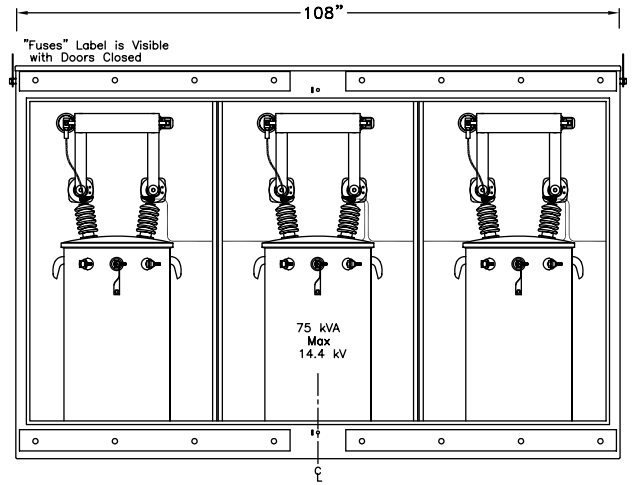


EPM-PTS-25-321P-E2-CM6-75KVA

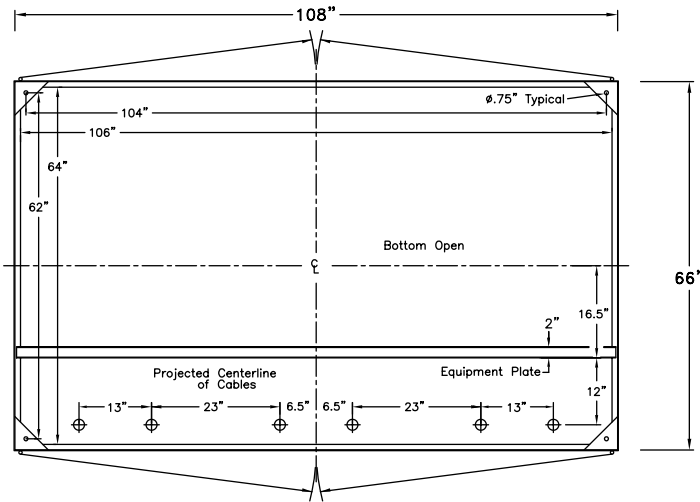
Three-Phase - Three Ways per Phase
 200 Amp Elliott Air Insulated Bushing Wells
 125 Amp (Max) 15.5 kV Clip Mounted CL Fuse Provisions
 15.2/26.3 kV Grd. Wye Max Design
 60 Hertz, 125 kV BIL



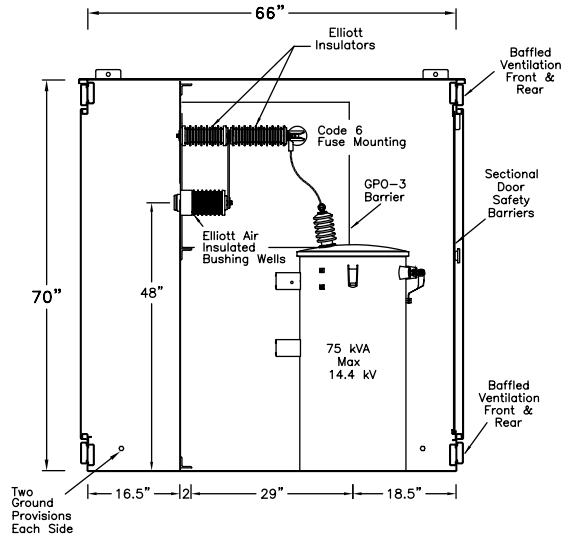
Front View
Doors Removed



Rear View
Doors & Door Safety Barriers Removed



Section BB

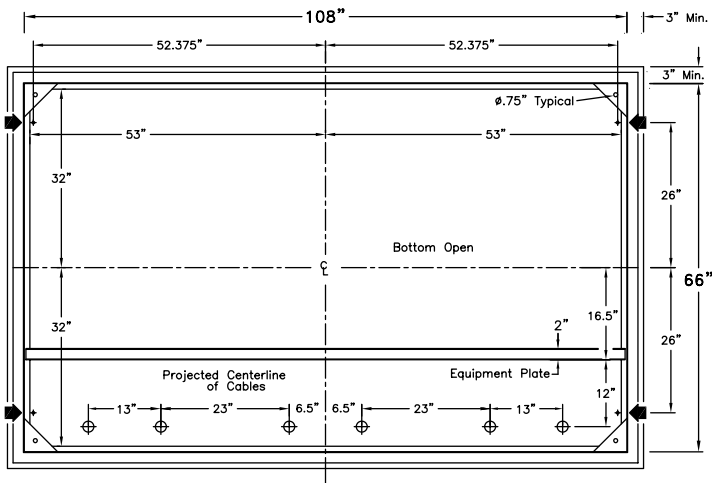
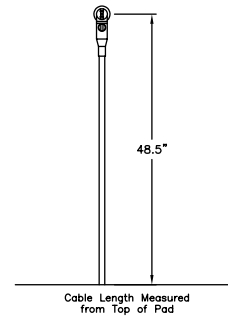
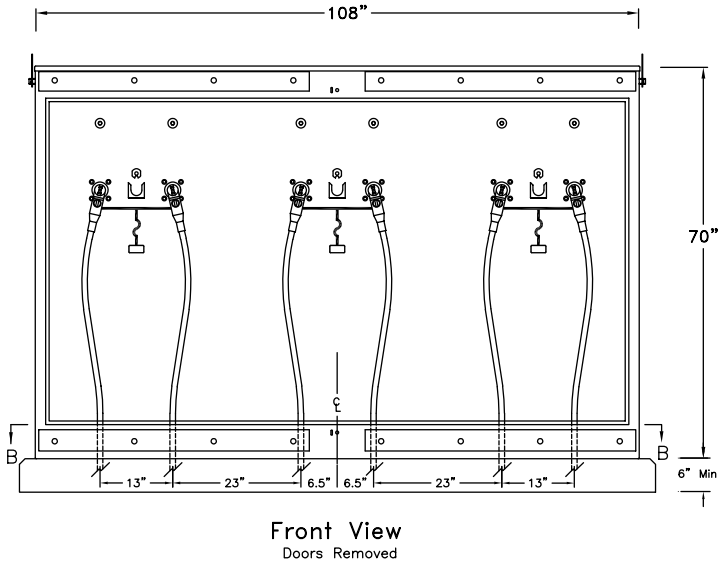
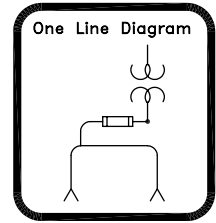


Section AA

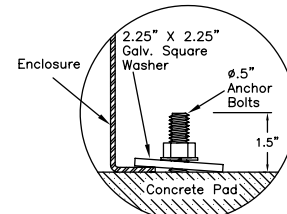
11 Gauge Steel Enclosure
 Removable Cross Kinked Top
 Stainless Steel Hinges
 Stainless Steel Parking Stands
 Recessed Stainless Steel Penta Head Security Bolts
 Clear Polycarbonate Sectional Door Safety Barriers
 8" Min Strike Distance to Ground
 10" Min Strike Distance Phase to Phase
 Paint "Pad-Mount Green" Munsell #7GY 3.29/1.5

EPM-PTS-25-321P-E2-CM6-75KVA		
Layout		
Date: 09-09-99	File: D99352R0	Drawing No.:
By: ACM	Approved by: JES	99-352-1
Elliott Industries, Inc.		
Bossier City, Louisiana 71171-6388 U.S.A.		

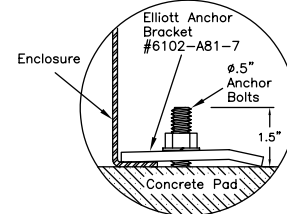
EPM-PTS-25-321P-E2-CM6-75KVA
 Proposed Cable Training and
 Typical Pad Requirements



+ Anchor Bolt Locations



Alternate #1

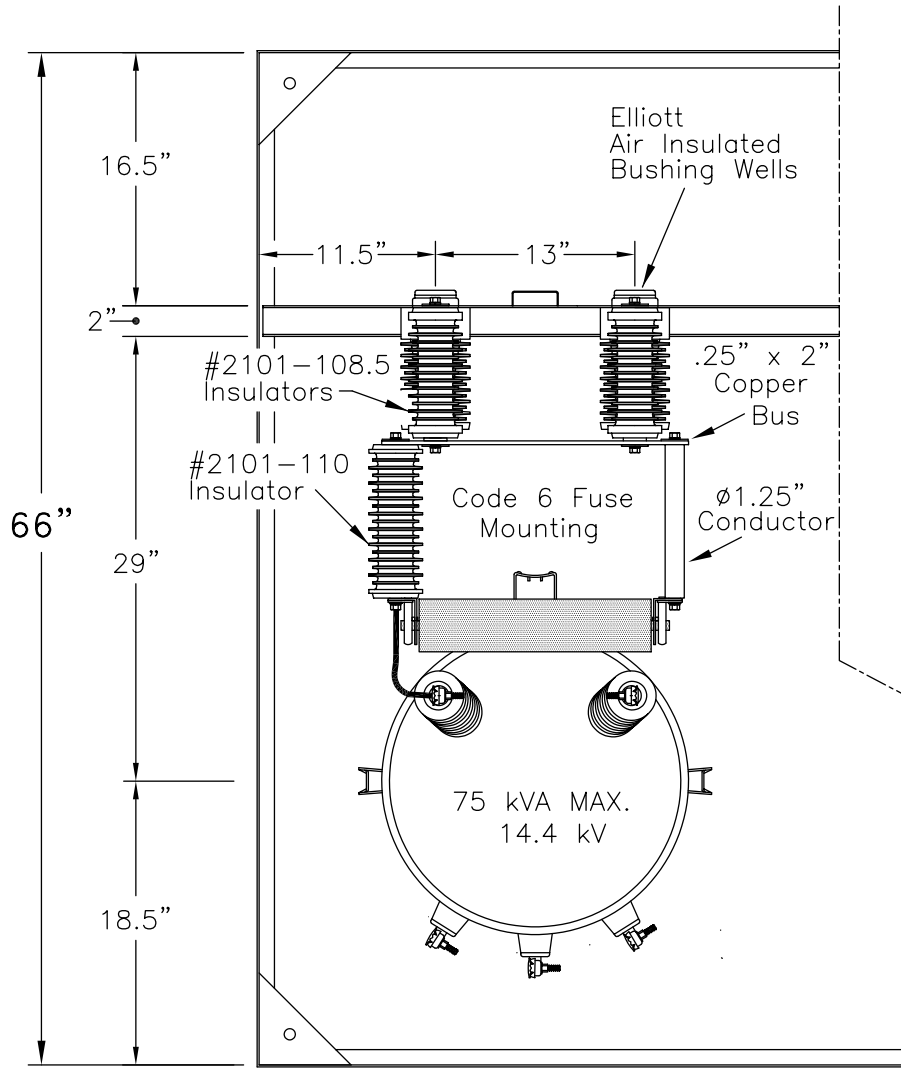
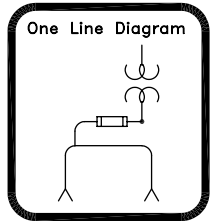


Alternate #2

EPM-PTS-25-321P-E2-CM6-75KVA Proposed Cable Training & Pad Requirements		
Date: 09-09-99	File: D99352R0	Drawing No.:
By: ACM	Approved by: JES	99-352-2
Elliott Industries, Inc. Bossier City, Louisiana 71171-6388 U.S.A.		

EPM-PTS-25-321P-E2-CM6-75KVA

Three-Phase - Three Ways per Phase
 200 Amp Elliott Air Insulated Bushing Wells
 125 Amp (Max) 15.5 kV Clip Mounted CL Fuse Provisions
 15.2/26.3 kV Grd. Wye Max Design
 60 Hertz, 125 kV BIL



Top View of One Phase

EPM-PTS-25-321P-E2-CM6-75KVA Top View of One Phase		
Date: 09-09-99	File: D99352R0	Drawing No.:
By: ACM	Approved by: JES	99-352-3
Elliott Industries, Inc. Bossier City, Louisiana 71171-6388 U.S.A.		