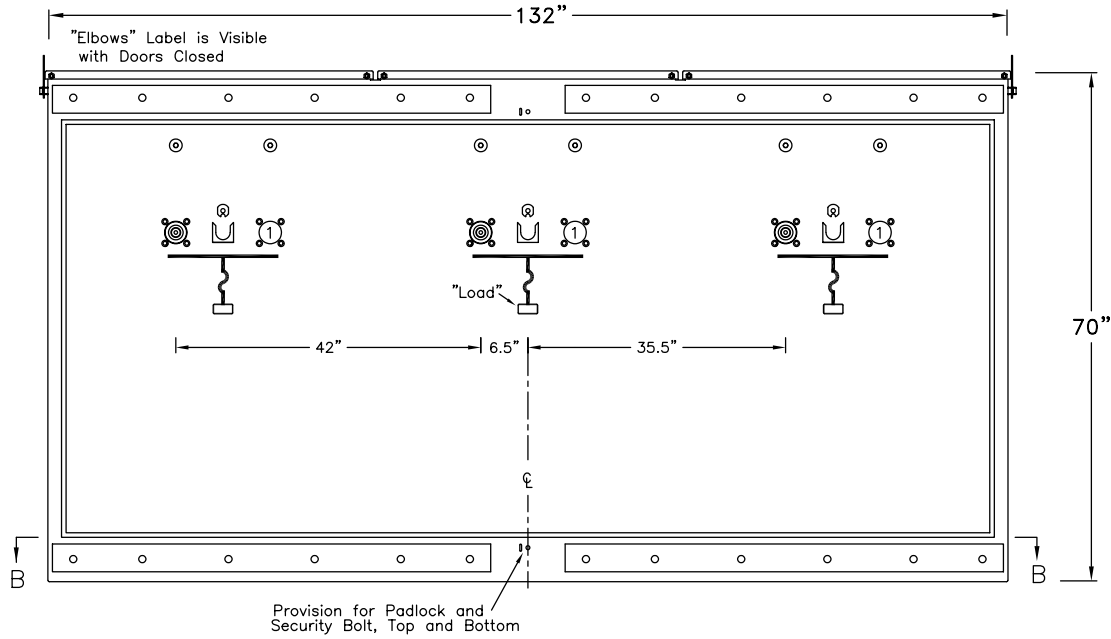
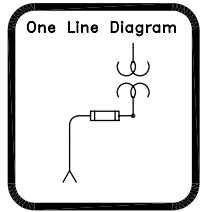


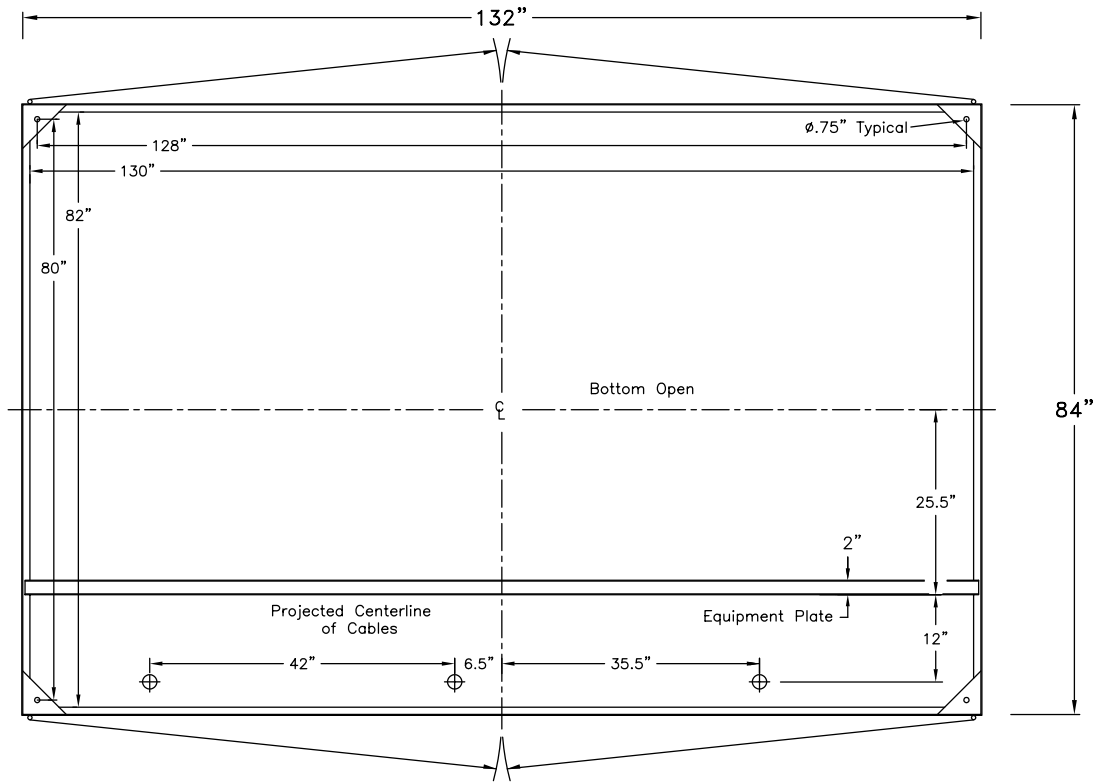
EPM-PTS-25-311P-E2-CM6-250KVA

Three-Phase - Two Ways per Phase
 200 Amp Elliott Air Insulated Bushing Wells
 125 Amp (Max) 15.5 kV Clip Mounted CL Fuse Provisions
 15.2/26.3 kV Grd. Wye Max Design
 60 Hertz, 125 kV BIL



Front View
Doors Removed

① Bushing Wells may be added if circuit requirements change.



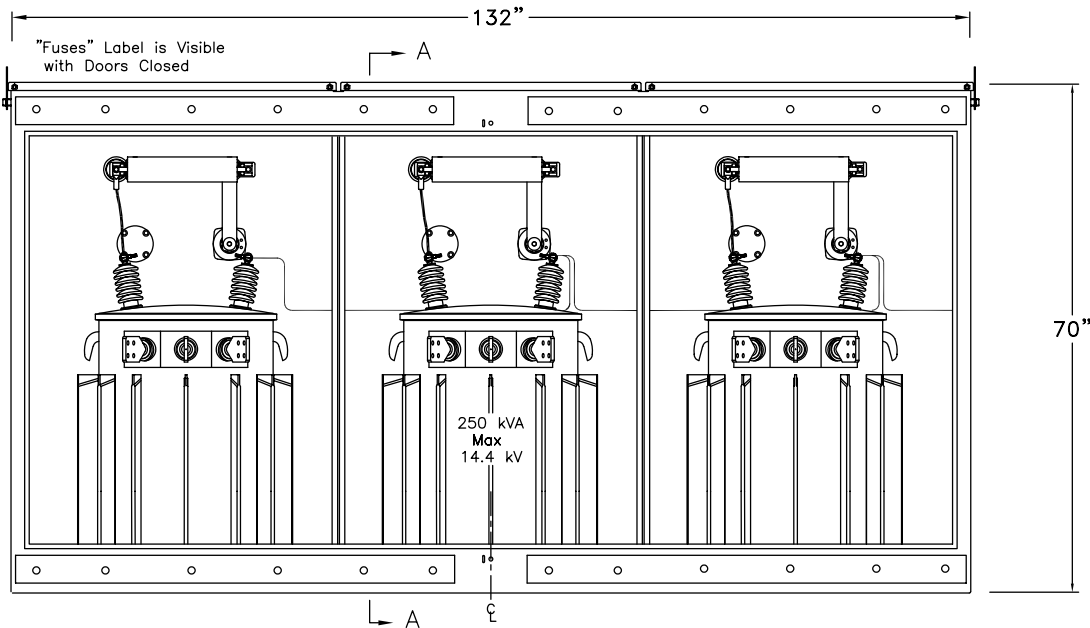
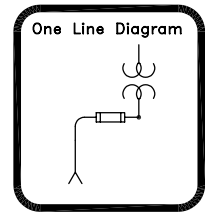
Section BB

11 Gauge Steel Enclosure
 Removable Cross Kinked Tops
 Stainless Steel Hinges
 Stainless Steel Parking Stands
 Recessed Stainless Steel Penta Head Security Bolts
 Clear Polycarbonate Sectional Door Safety Barriers
 8" Min Strike Distance to Ground
 10" Min Strike Distance Phase to Phase
 Paint "Pad-Mount Green" Munsell #7GY 3.29/1.5

EPM-PTS-25-311P-E2-CM6-250KVA		
Layout		
Date: 09-10-99	File: D99353R0	Drawing No.:
By: ACM	Approved by: JES	99-353-1
Elliott Industries, Inc. Bossier City, Louisiana 71171-6388 U.S.A.		

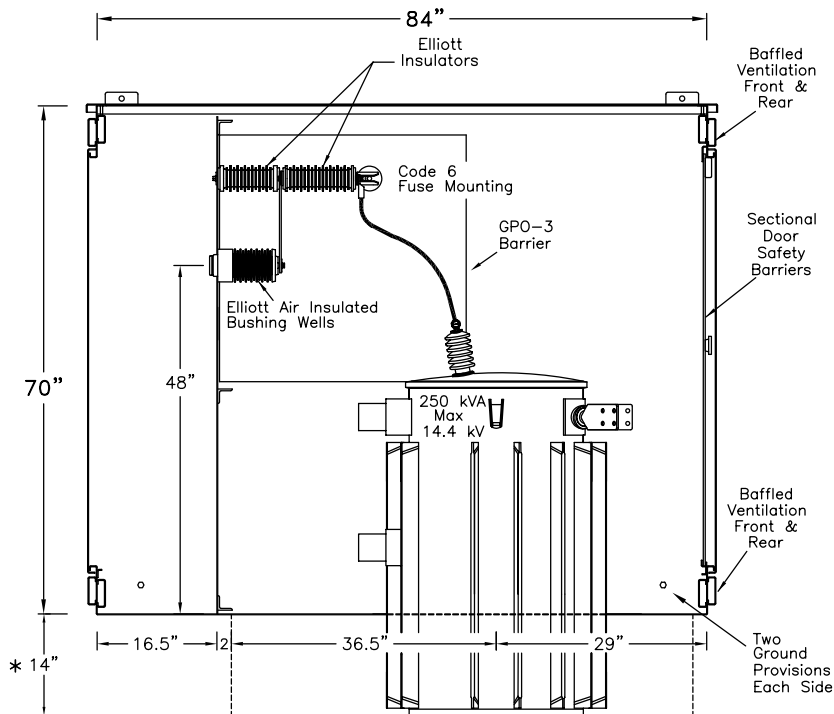
EPM-PTS-25-311P-E2-CM6-250KVA

Three-Phase - Two Ways per Phase
 200 Amp Elliott Air Insulated Bushing Wells
 125 Amp (Max) 15.5 kV Clip Mounted CL Fuse Provisions
 15.2/26.3 kV Grd. Wye Max Design
 60 Hertz, 125 kV BIL



Rear View
 Doors & Door Safety Barriers Removed

① Bushing Wells may be added if circuit requirements change.



* NOTE: 14" Deep recess in pad

Section AA

11 Gauge Steel Enclosure
 Removable Cross Kinked Tops
 Stainless Steel Hinges
 Stainless Steel Parking Stands
 Recessed Stainless Steel Penta Head Security Bolts
 Clear Polycarbonate Sectional Door Safety Barriers
 8" Min Strike Distance to Ground
 10" Min Strike Distance Phase to Phase
 Paint "Pad-Mount Green" Munsell #7GY 3.29/1.5

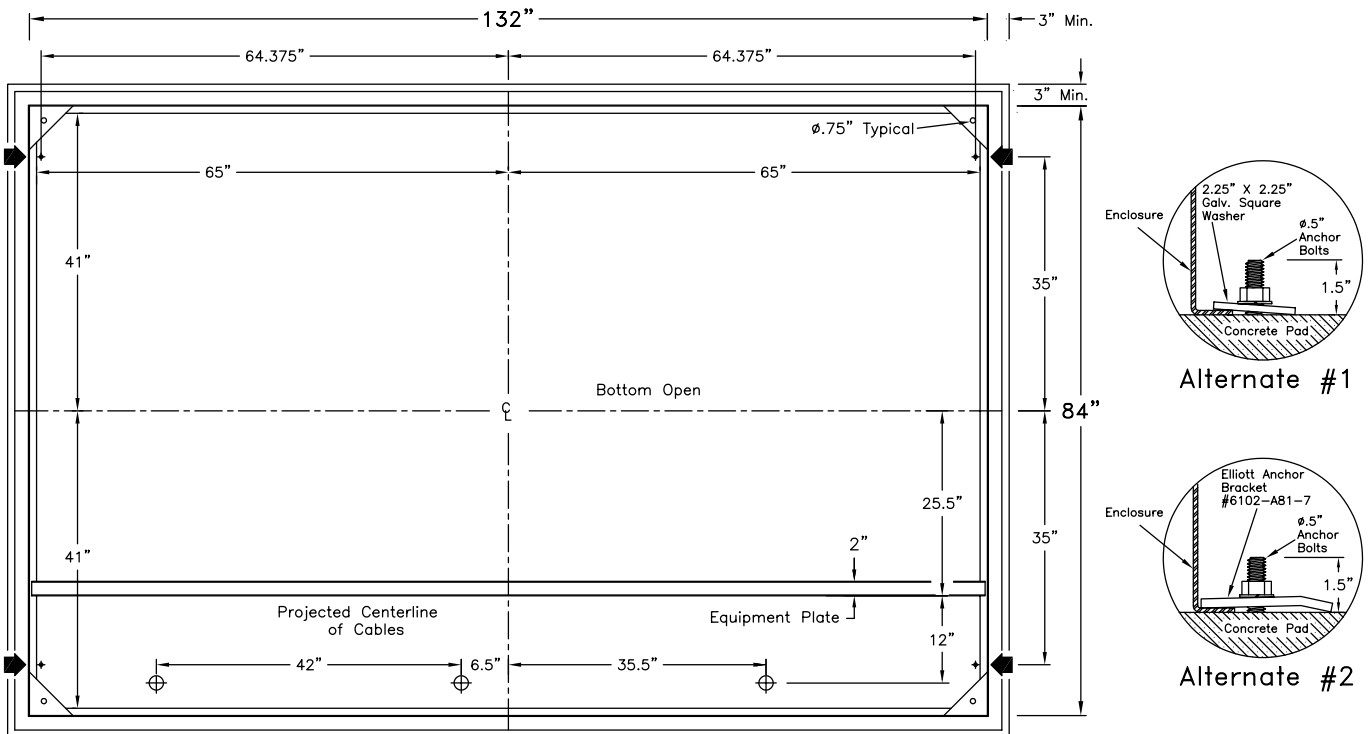
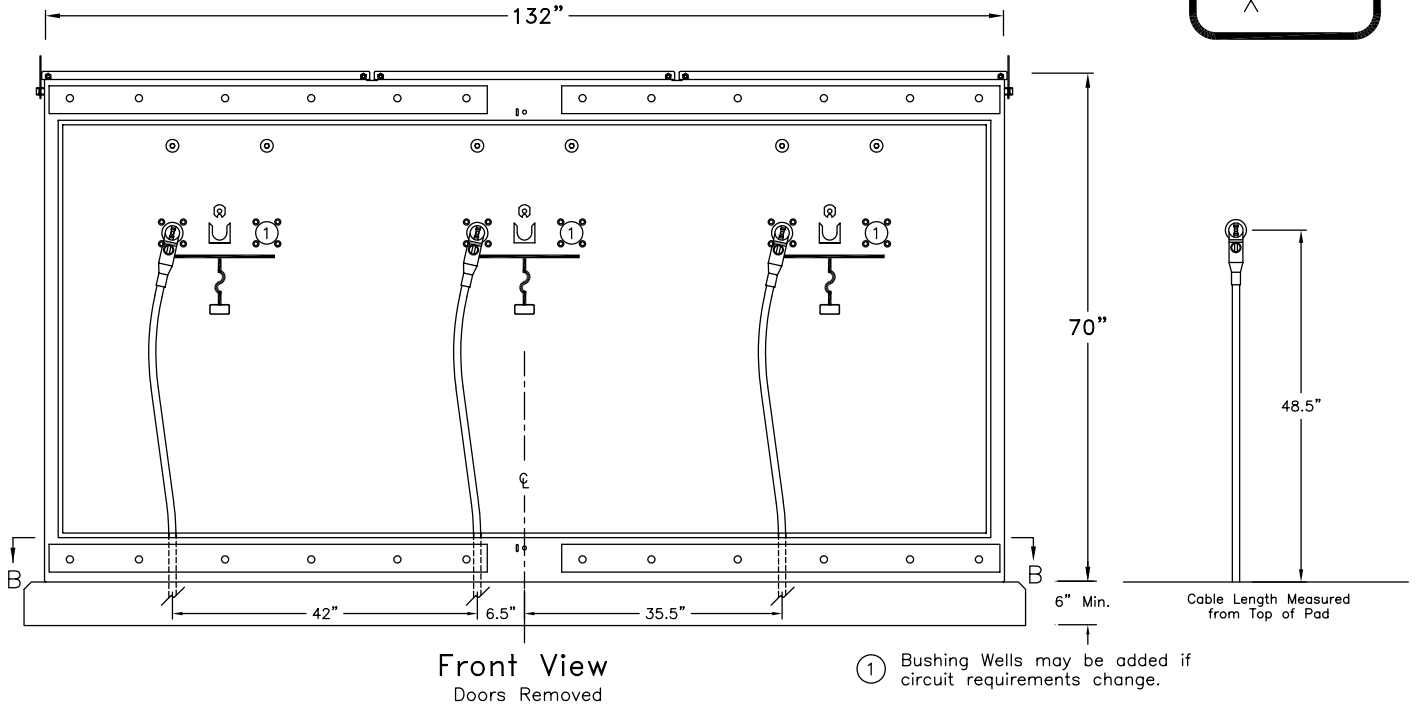
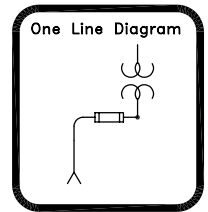
EPM-PTS-25-311P-E2-CM6-250KVA
 Layout

Date: 09-10-99	File: D99353R0	Drawing No.:
By: ACM	Approved by: JES	99-353-2

Elliott Industries, Inc.
 Bossier City, Louisiana 71171-6388 U.S.A.

EPM-PTS-25-311P-E2-CM6-250KVA

Proposed Cable Training and
Typical Pad Requirements

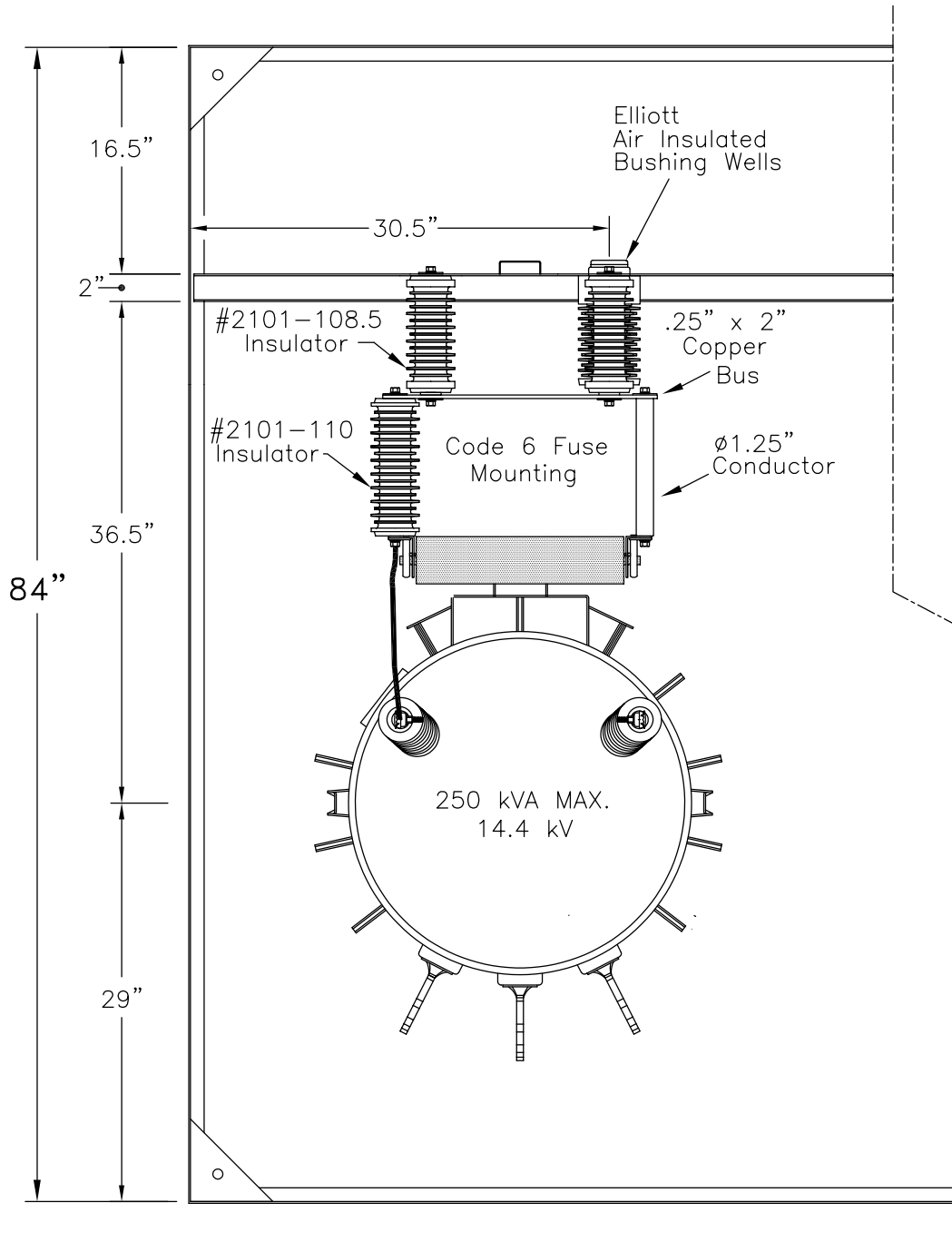
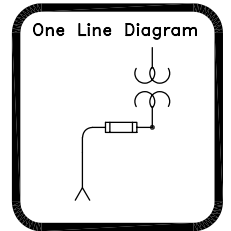


+ ◀ Anchor Bolt Locations

EPM-PTS-25-311P-E2-CM6-250KVA		
Proposed Cable Training & Pad Requirements		
Date: 09-10-99	File: D99353R0	Drawing No.:
By: ACM	Approved by: JES	99-353-3
Elliott Industries, Inc. Bossier City, Louisiana 71171-6388 U.S.A.		

EPM-PTS-25-311P-E2-CM6-250KVA

Three-Phase - Two Ways per Phase
 200 Amp Elliott Air Insulated Bushing Wells
 125 Amp (Max) 15.5 kV Clip Mounted CL Fuse Provisions
 15.2/26.3 kV Grd. Wye Max Design
 60 Hertz, 125 kV BIL



Top View of One Phase

EPM-PTS-25-311P-E2-CM6-250KVA		
Top View of One Phase		
Date: 09-09-99	File: D99353-4R0	Drawing No.:
By: R.M.	Approved by:	99-353-4
Elliott Industries, Inc. Bossier City, Louisiana 71171-6388 U.S.A.		