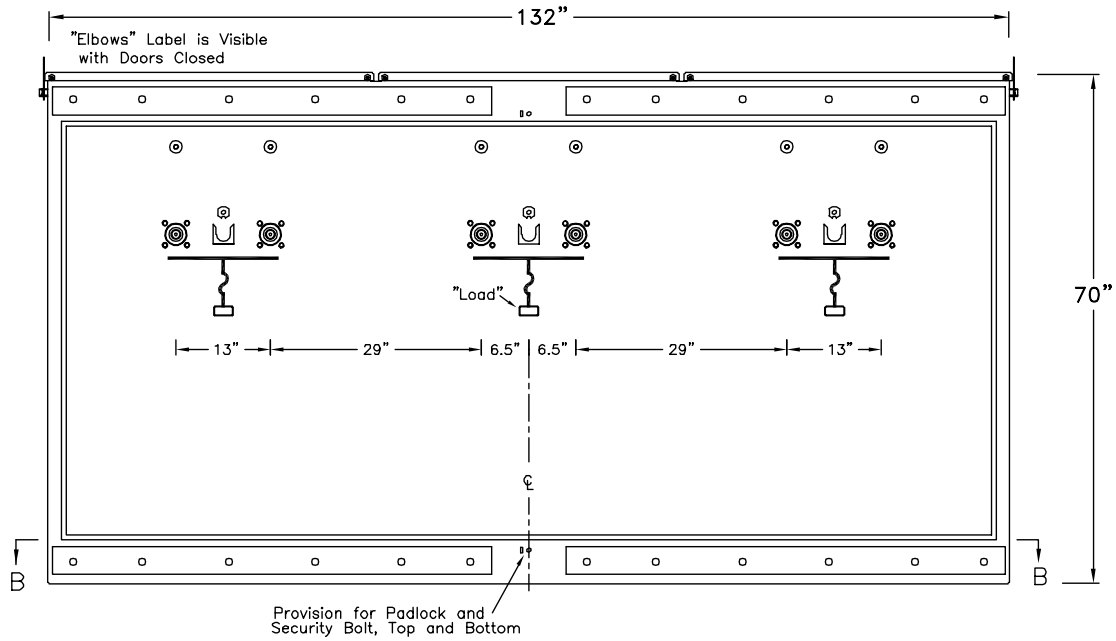
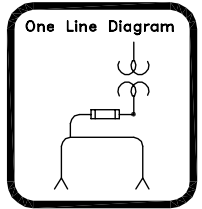
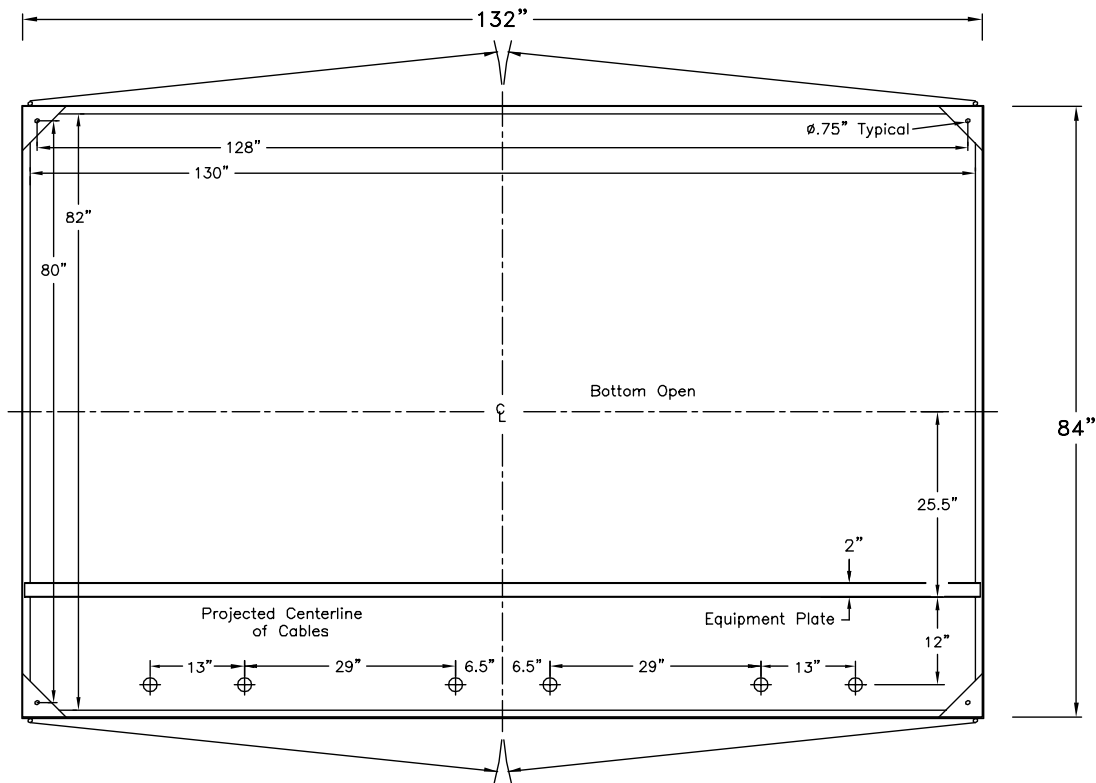


EPM-PTS-25-321P-E2-CM6-250KVA

Three-Phase - Three Ways per Phase
 200 Amp Elliott Air Insulated Bushing Wells
 125 Amp (Max) 15.5 kV Clip Mounted CL Fuse Provisions
 15.2/26.3 kV Grd. Wye Max Design
 60 Hertz, 125 kV BIL



Front View
Doors Removed



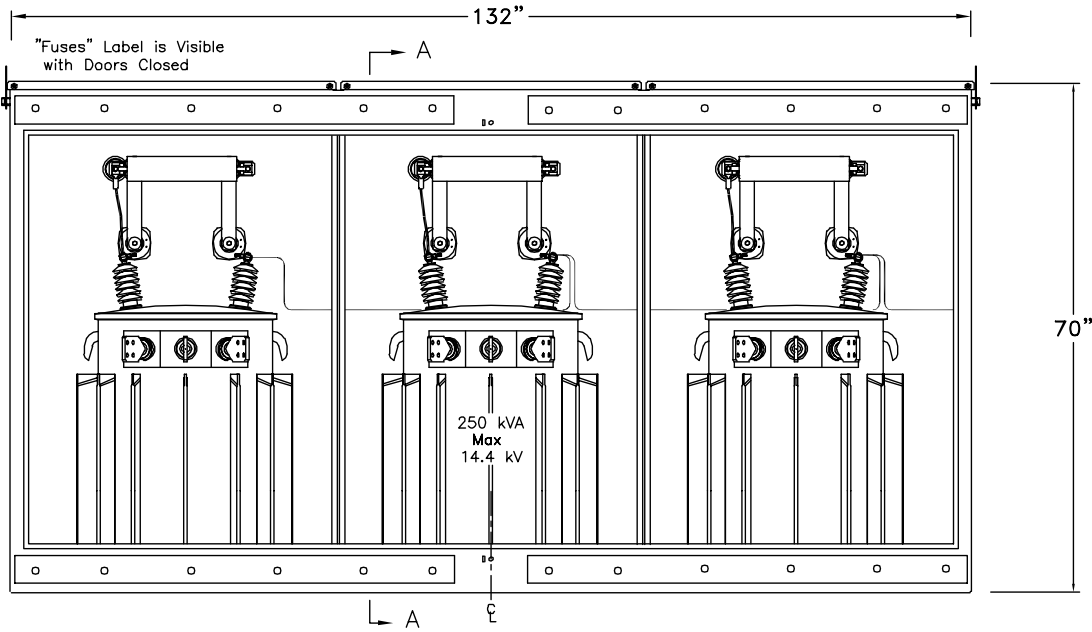
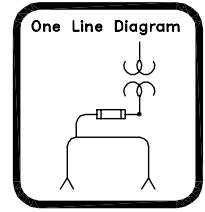
Section BB

- 11 Gauge Steel Enclosure
- Removable Cross Kinked Tops
- Stainless Steel Hinges
- Stainless Steel Parking Stands
- Recessed Stainless Steel Penta Head Security Bolts
- Clear Polycarbonate Sectional Door Safety Barriers
- 8" Min Strike Distance to Ground
- 10" Min Strike Distance Phase to Phase
- Paint "Pad-Mount Green" Munsell #7GY 3.29/1.5

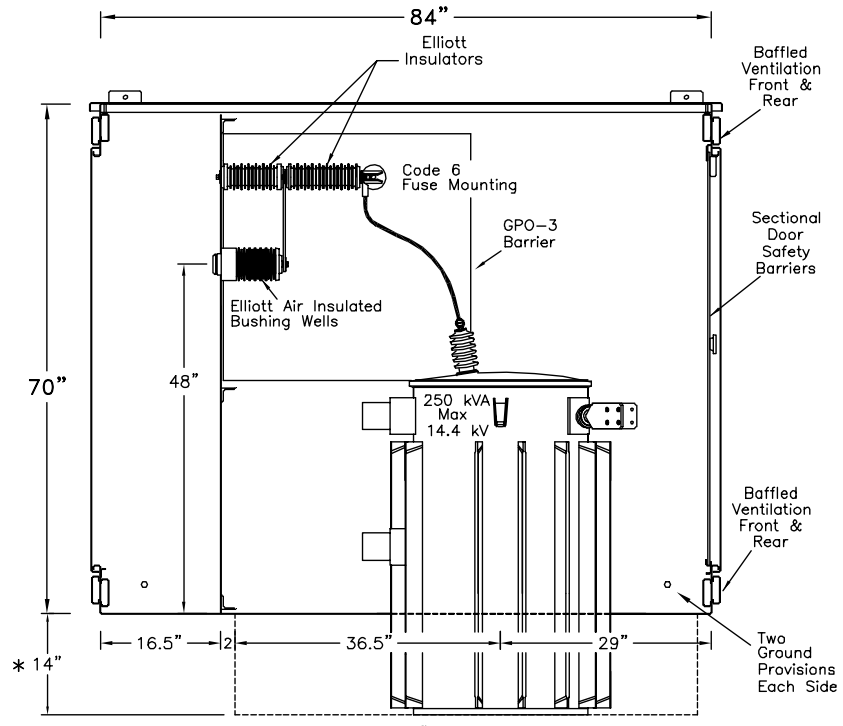
EPM-PTS-25-321P-E2-CM6-250KVA Layout		
Date: 09-09-99	File: D99354R0	Drawing No.:
By: R.M.	Approved by: JES	99-354-1
Elliott Industries, Inc. Bossier City, Louisiana 71171-6388 U.S.A.		

EPM-PTS-25-321P-E2-CM6-250KVA

Three-Phase - Three Ways per Phase
 200 Amp Elliott Air Insulated Bushing Wells
 125 Amp (Max) 15.5 kV Clip Mounted CL Fuse Provisions
 15.2/26.3 kV Grd. Wye Max Design
 60 Hertz, 125 kV BIL



Rear View
 Doors & Door Safety Barriers Removed



* NOTE: 14" Deep recess in pad

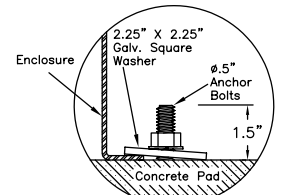
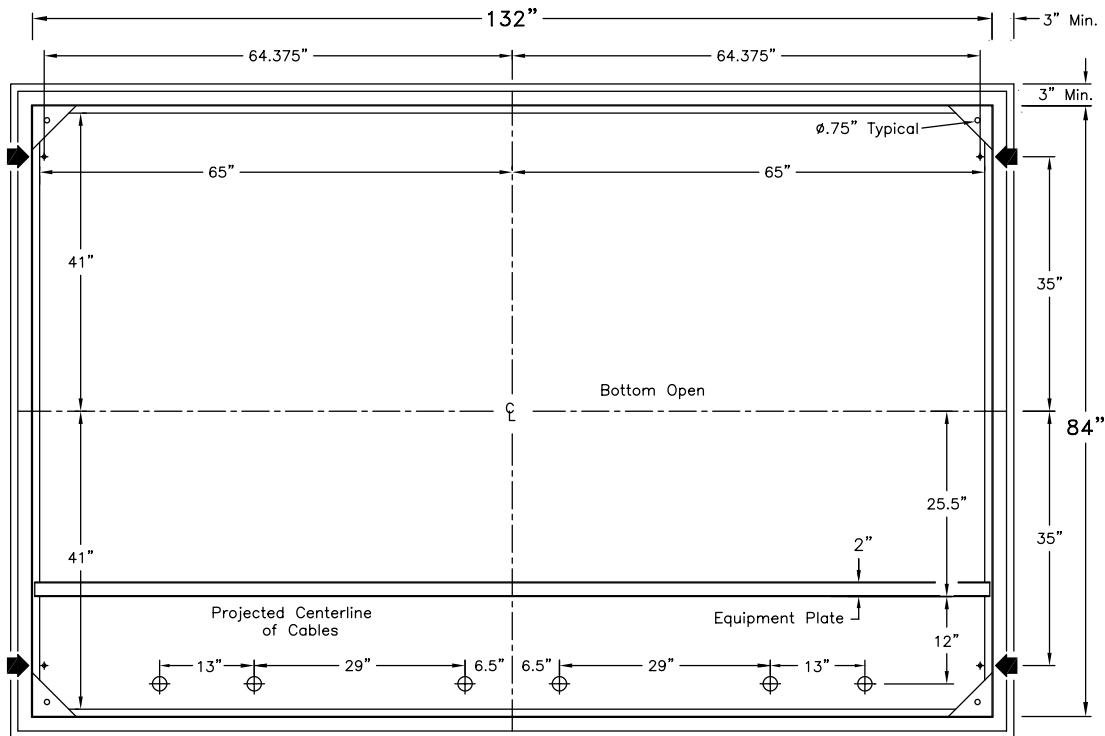
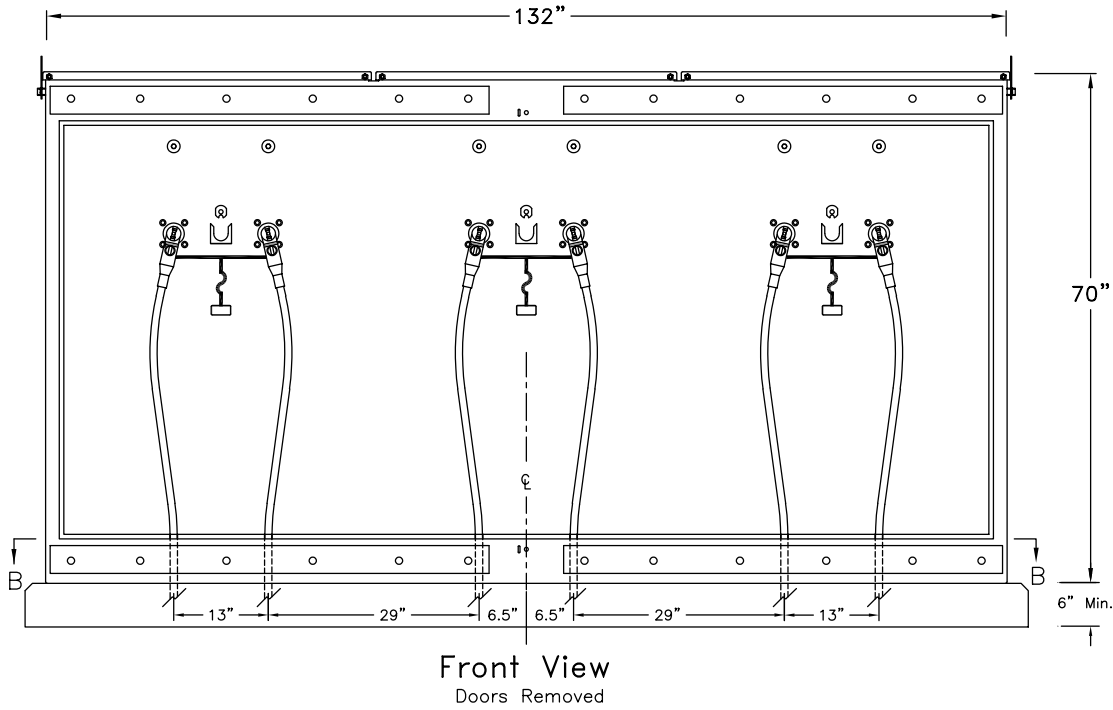
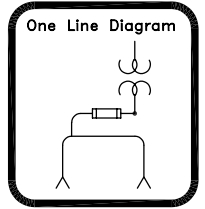
Section AA

- 11 Gauge Steel Enclosure
- Removable Cross Kinked Tops
- Stainless Steel Hinges
- Stainless Steel Parking Stands
- Recessed Stainless Steel Penta Head Security Bolts
- Clear Polycarbonate Sectional Door Safety Barriers
- 8" Min Strike Distance to Ground
- 10" Min Strike Distance Phase to Phase
- Paint "Pad-Mount Green" Munsell #7GY 3.29/1.5

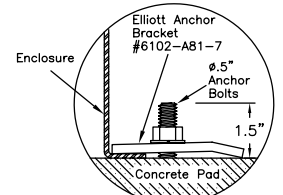
EPM-PTS-25-321P-E2-CM6-250KVA		
Layout		
Date: 09-09-99	File: D99354R0	Drawing No.:
By: R.M.	Approved by: JES	99-354-2
Elliott Industries, Inc. Bossier City, Louisiana 71171-6388 U.S.A.		

EPM-PTS-25-321P-E2-CM6-250KVA

Proposed Cable Training and
Typical Pad Requirements



Alternate #1



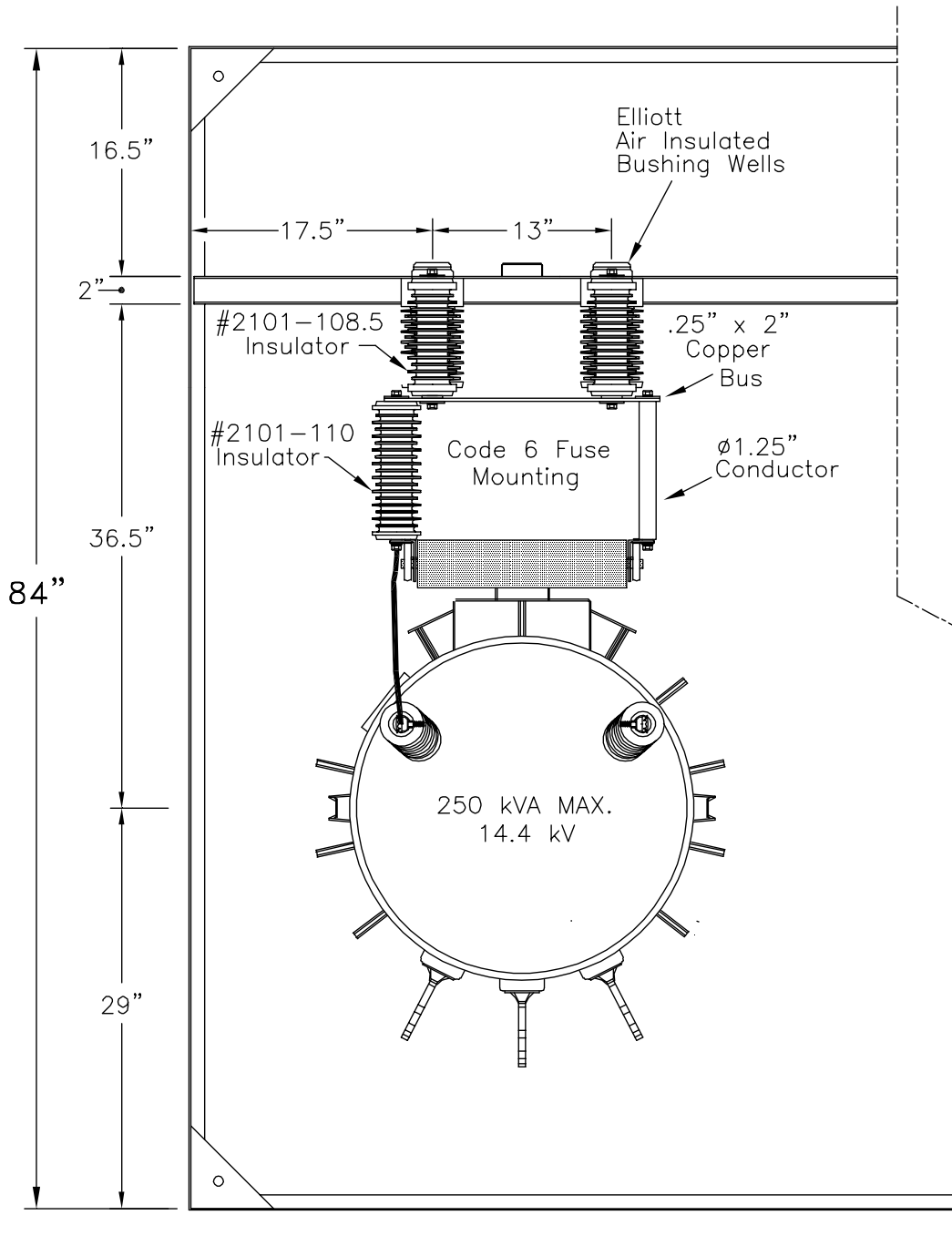
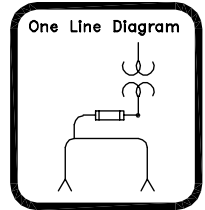
Alternate #2

➤ ◼ Anchor Bolt Locations

EPM-PTS-25-321P-E2-CM6-250KVA		
Proposed Cable Training & Pad Requirements		
Date: 09-09-99	File: D99354R0	Drawing No.:
By: R.M.	Approved by: JES	99-354-3
Elliott Industries, Inc.		
Bossier City, Louisiana 71171-6388 U.S.A.		

EPM-PTS-25-321P-E2-CM6-250KVA

Three-Phase - Three Ways per Phase
 200 Amp Elliott Air Insulated Bushing Wells
 125 Amp (Max) 15.5 kV Clip Mounted CL Fuse Provisions
 15.2/26.3 kV Grd. Wye Max Design
 60 Hertz, 125 kV BIL



Top View of One Phase

EPM-PTS-25-321P-E2-CM6-250KVA		
Top View of One Phase		
Date: 09-09-99	File: D99354-4R0	Drawing No.:
By: R.M.	Approved by: JES	99-354-4
Elliott Industries, Inc.		
Bossier City, Louisiana 71171-6388 U.S.A.		