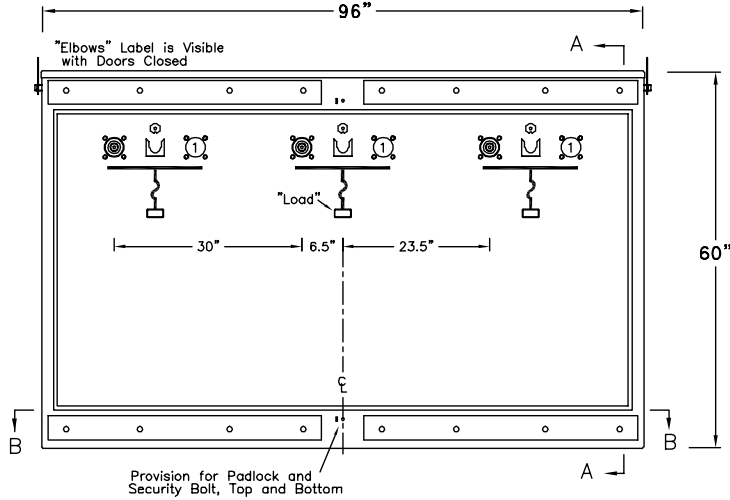
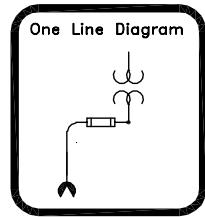


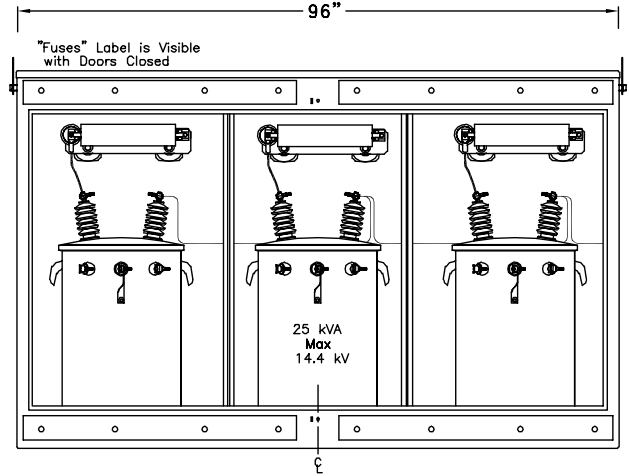
EPM-PTS-25-311P-E6-CM6-25KVA

Three-Phase - Two Ways per Phase
 600 Amp Elliott Air Insulated Bushings
 125 Amp (Max) 15.5 kV Clip Mounted CL Fuse Provisions
 15.2/26.3 kV Grd. Wye Max Design
 60 Hertz, 125 kV BIL

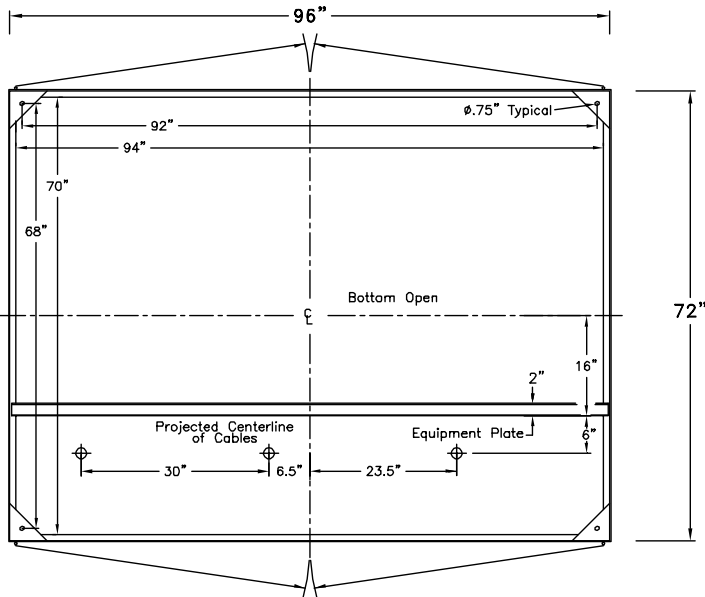


Front View
Doors Removed

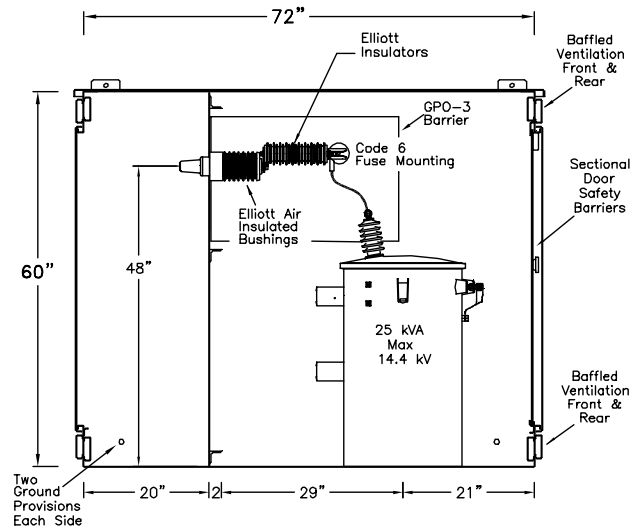
① Bushings may be added if circuit requirements change.



Rear View
Doors & Door Safety Barriers Removed



Section BB



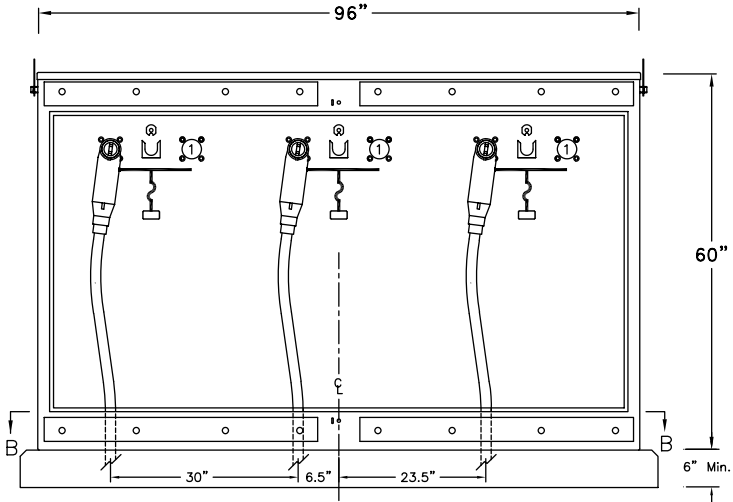
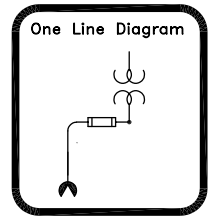
Section AA

11 Gauge Steel Enclosure
 Removable Cross Kinked Top
 Stainless Steel Hinges
 Stainless Steel Parking Stands
 Recessed Stainless Steel Penta Head Security Bolts
 Clear Polycarbonate Sectional Door Safety Barriers
 8" Min Strike Distance to Ground
 10" Min Strike Distance Phase to Phase
 Paint "Pad-Mount Green" Munsell #7GY 3.29/1.5

EPM-PTS-25-311P-E6-CM6-25KVA Layout		
Date: 09-15-99	File: D99359R0	Drawing No.:
By: R.M.	Approved by: JES	99-359-1
Elliott Industries, Inc. Bossier City, Louisiana 71171-6388 U.S.A.		

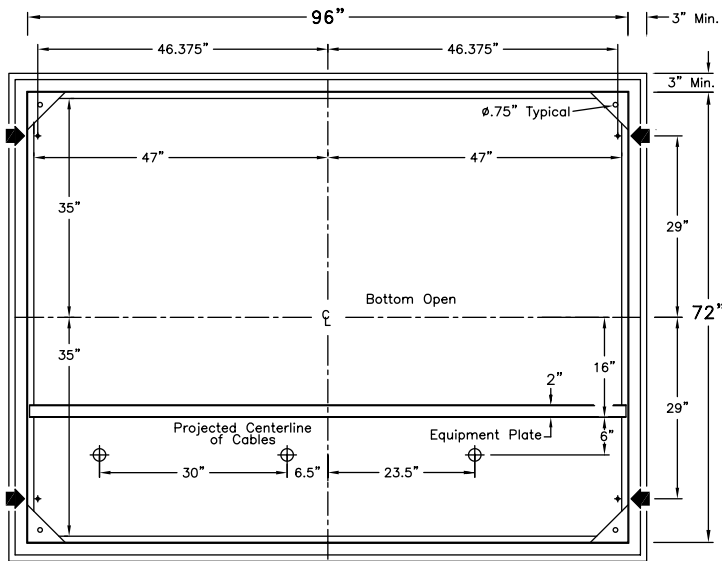
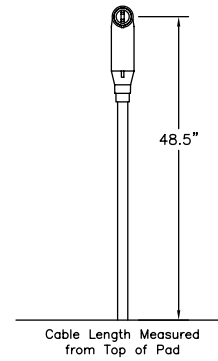
EPM-PTS-25-311P-E6-CM6-25KVA

Proposed Cable Training and
Typical Pad Requirements



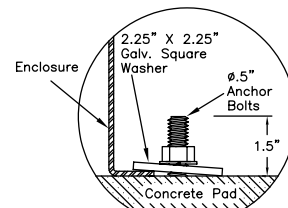
Front View
Doors Removed

① Bushings may be added if circuit requirements change.

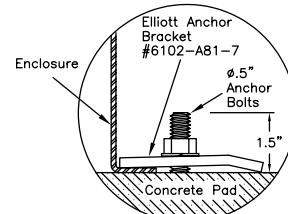


Section BB

+ ◼ Anchor Bolt Locations



Alternate #1

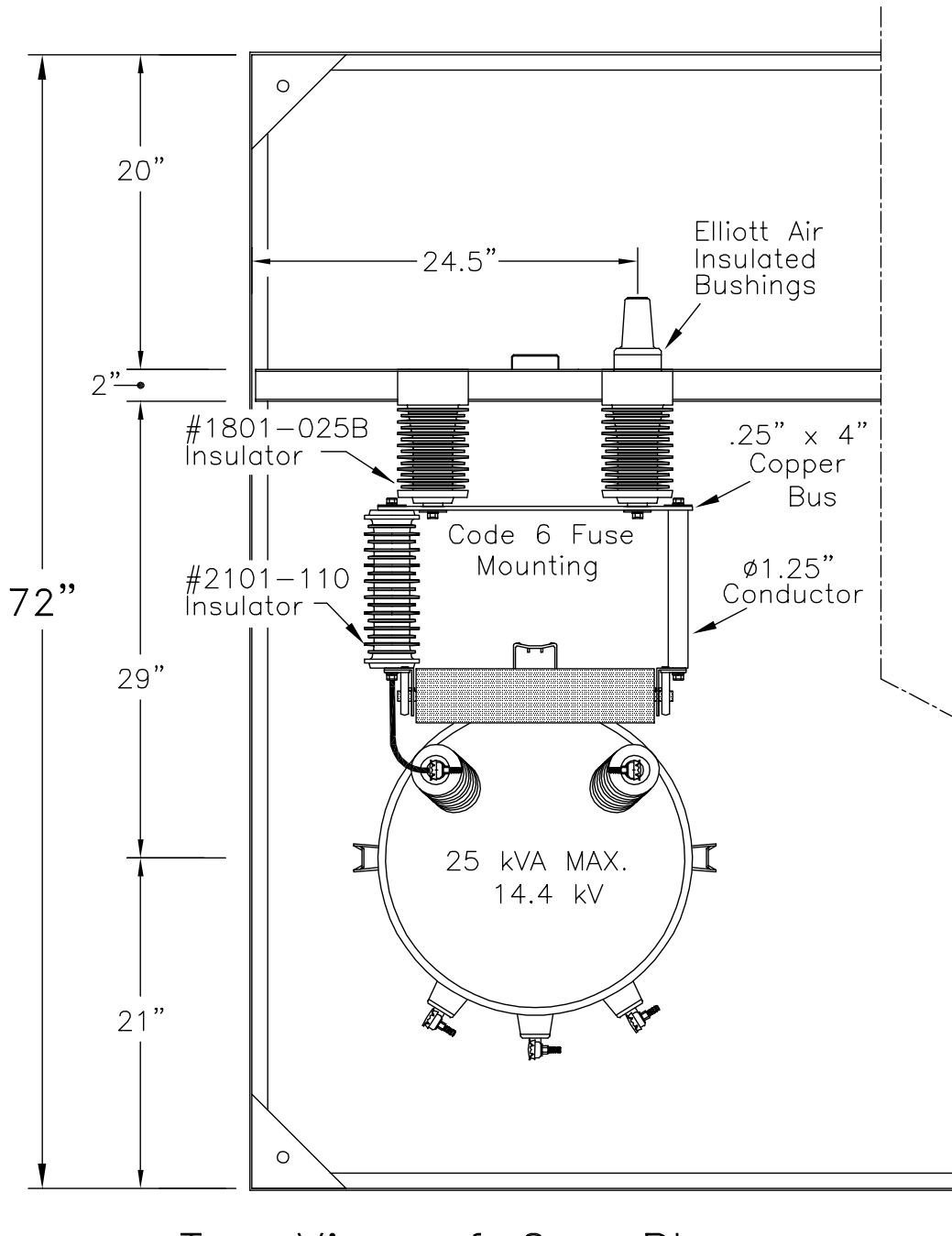
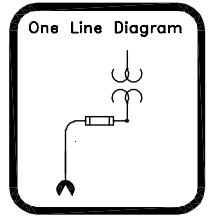


Alternate #2

EPM-PTS-25-311P-E6-CM6-25KVA		
Proposed Cable Training & Pad Requirements		
Date: 09-15-99	File: D99359R0	Drawing No.:
By: R.M.	Approved by: JES	99-359-2
Elliott Industries, Inc.		
Bossier City, Louisiana 71171-6388 U.S.A.		

EPM-PTS-25-311P-E6-CM6-25KVA

Three-Phase - Two Ways per Phase
 600 Amp Elliott Air Insulated Bushings
 125 Amp (Max) 15.5 kV Clip Mounted CL Fuse Provisions
 15.2/26.3 kV Grd. Wye Max Design
 60 Hertz, 125 kV BIL



Top View of One Phase

EPM-PTS-25-311P-E6-CM6-25KVA Top View of One Phase		
Date: 09-15-99	File: D99359R0	Drawing No.:
By: R.M.	Approved by: JES	99-359-3
Elliott Industries, Inc. Bossier City, Louisiana 71171-6388 U.S.A.		