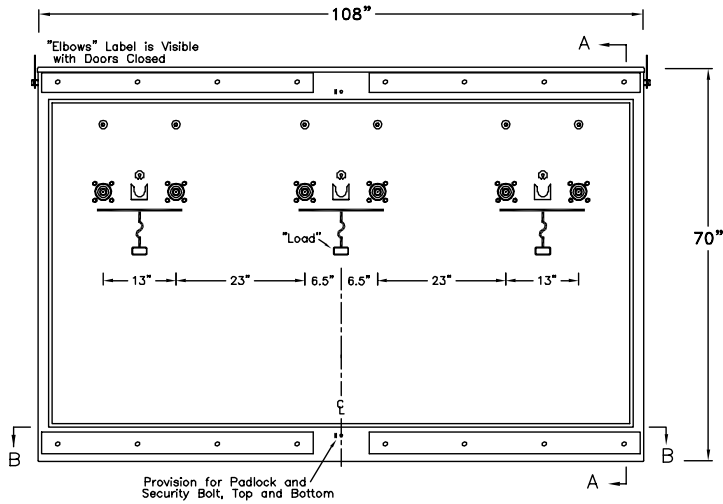
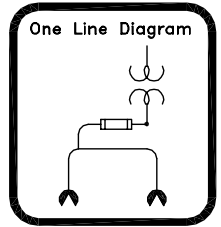
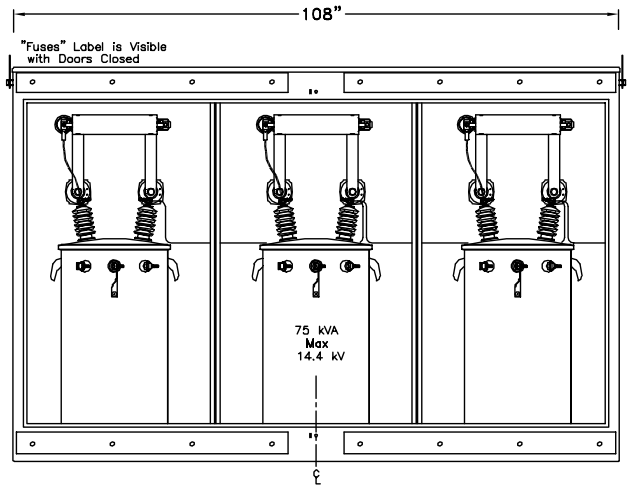


EPM-PTS-25-321P-E6-CM6-75KVA

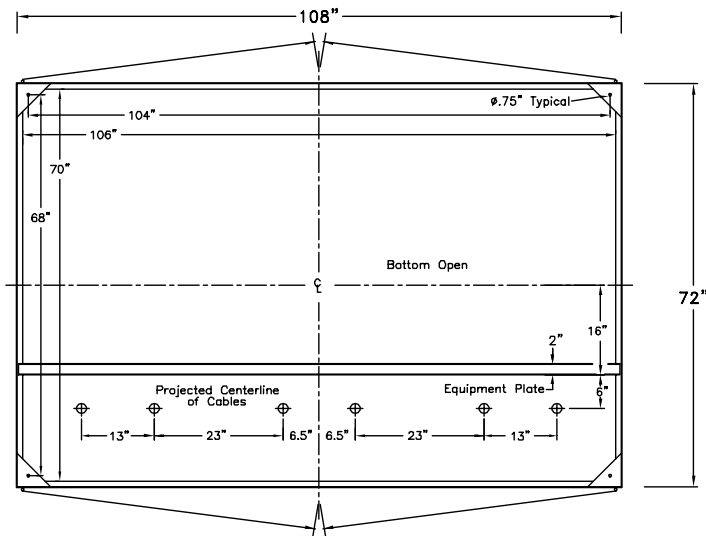
Three-Phase - Three Ways per Phase
 600 Amp Elliott Air Insulated Bushings
 125 Amp (Max) 15.5 kV Clip Mounted CL Fuse Provisions
 15.2/26.3 kV Grd. Wye Max Design
 60 Hertz, 125 kV BIL



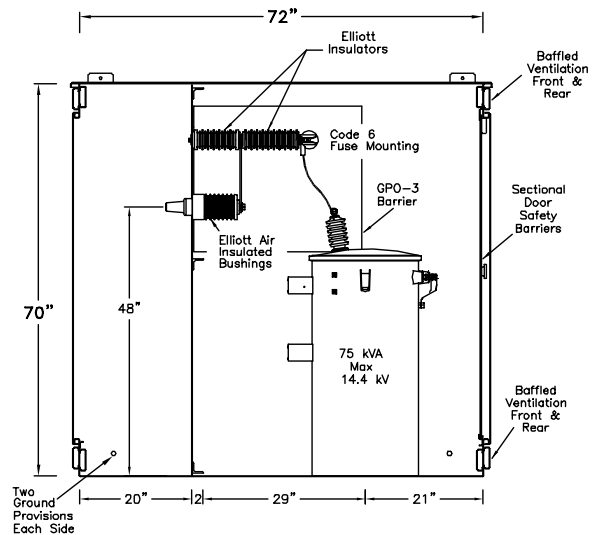
Front View
Doors Removed



Rear View
Doors & Door Safety Barriers Removed



Section BB

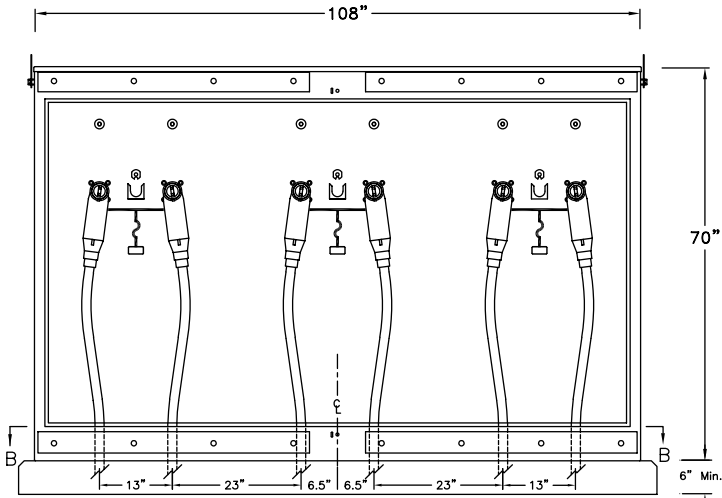
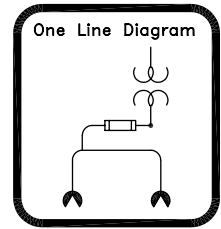


Section AA

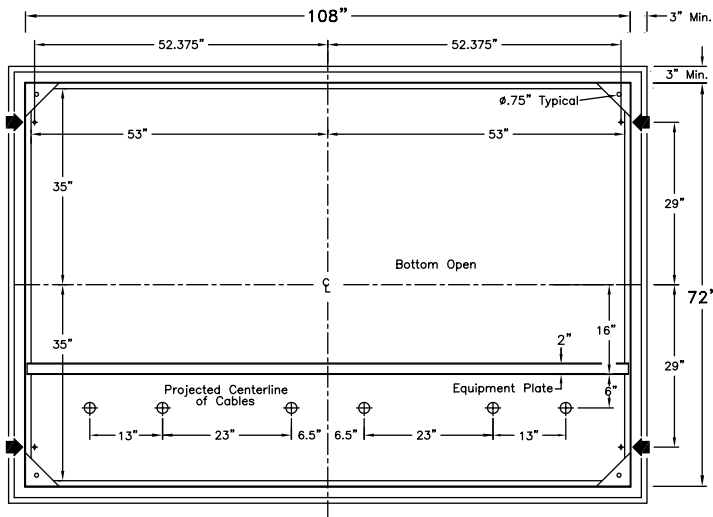
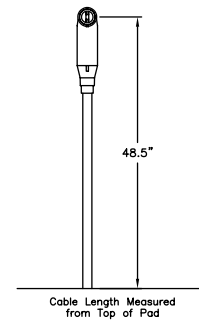
- 11 Gauge Steel Enclosure
- Removable Cross Kinked Top
- Stainless Steel Hinges
- Stainless Steel Parking Stands
- Recessed Stainless Steel Penta Head Security Bolts
- Clear Polycarbonate Sectional Door Safety Barriers
- 8" Min Strike Distance to Ground
- 10" Min Strike Distance Phase to Phase
- Paint "Pad-Mount Green" Munsell #7GY 3.29/1.5

EPM-PTS-25-321P-E6-CM6-75KVA Layout		
Date: 09-13-99	File: D99362RO	Drawing No.:
By: ACM	Approved by: JES	99-362-1
Elliott Industries, Inc.		
Bossier City, Louisiana 71171-6388 U.S.A.		

EPM-PTS-25-321P-E6-CM6-75KVA
 Proposed Cable Training and
 Typical Pad Requirements

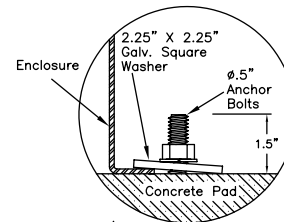


Front View
 Doors Removed

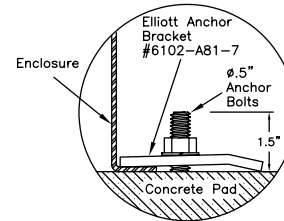


Section BB

+ ■ Anchor Bolt Locations



Alternate #1



Alternate #2

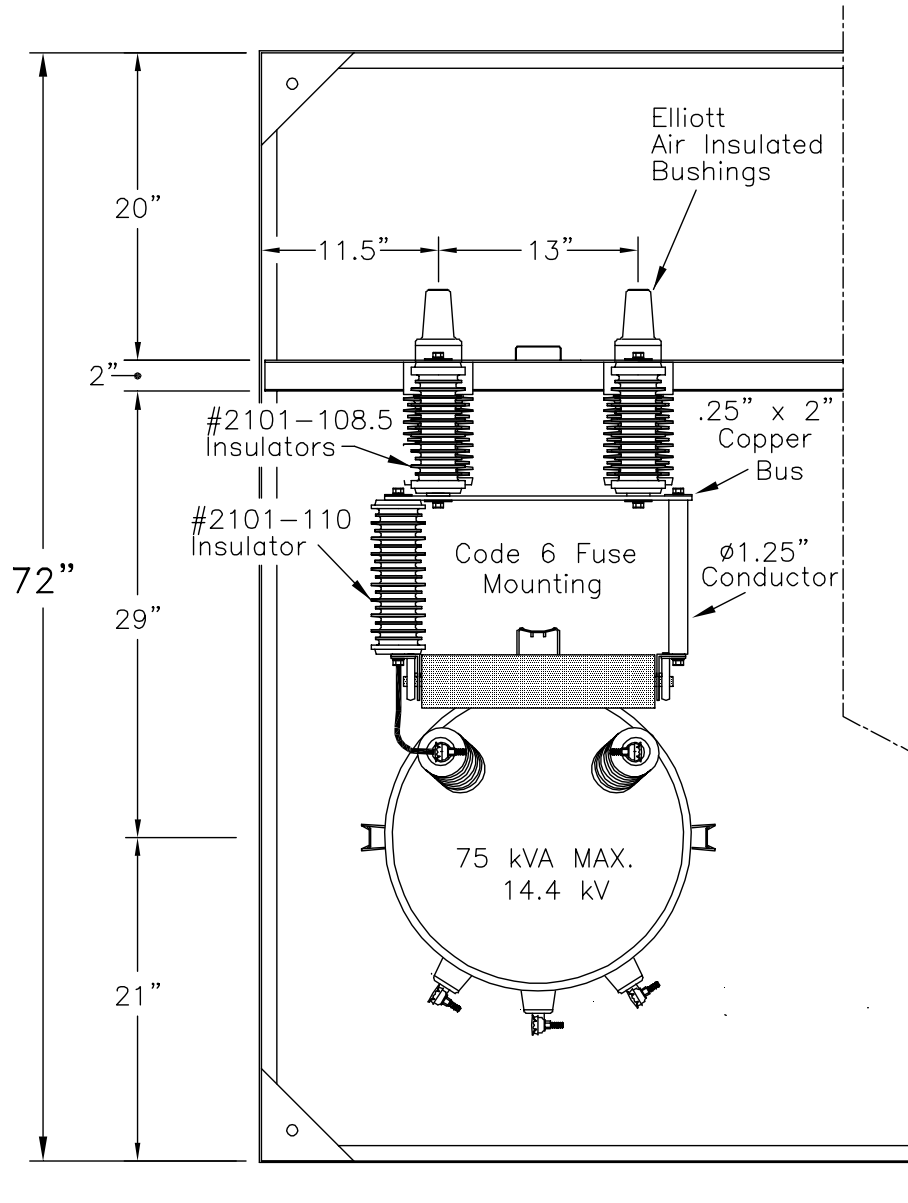
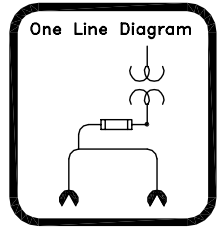
EPM-PTS-25-321P-E6-CM6-75KVA
 Proposed Cable Training & Pad Requirements

Date: 09-13-99	File: D99362R0	Drawing No.:
By: ACM	Approved by: JES	99-362-2

Elliott Industries, Inc.
 Bossier City, Louisiana 71171-6388 U.S.A.

EPM-PTS-25-321P-E6-CM6-75KVA

Three-Phase - Three Ways per Phase
 600 Amp Elliott Air Insulated Bushings
 125 Amp (Max) 15.5 kV Clip Mounted CL Fuse Provisions
 15.2/26.3 kV Grd. Wye Max Design
 60 Hertz, 125 kV BIL



Top View of One Phase

EPM-PTS-25-321P-E6-CM6-75KVA		
Top View of One Phase		
Date: 09-13-99	File: D99362RO	Drawing No.:
By: ACM	Approved by: JES	99-362-3
Elliott Industries, Inc. Bossier City, Louisiana 71171-6388 U.S.A.		