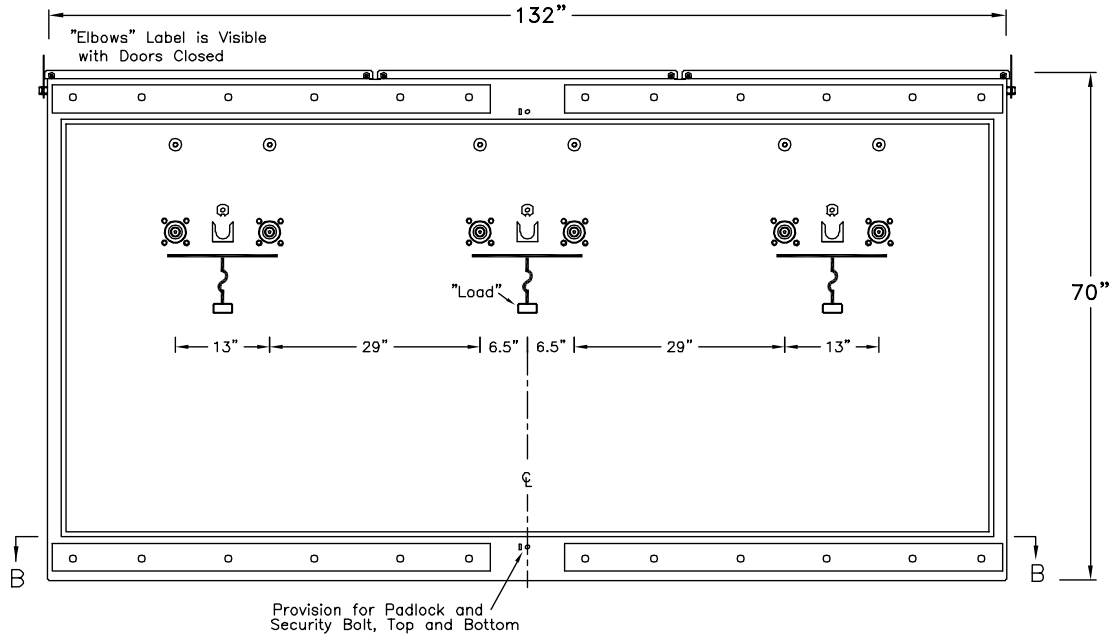
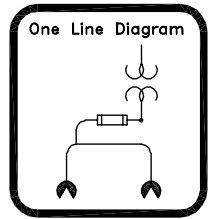
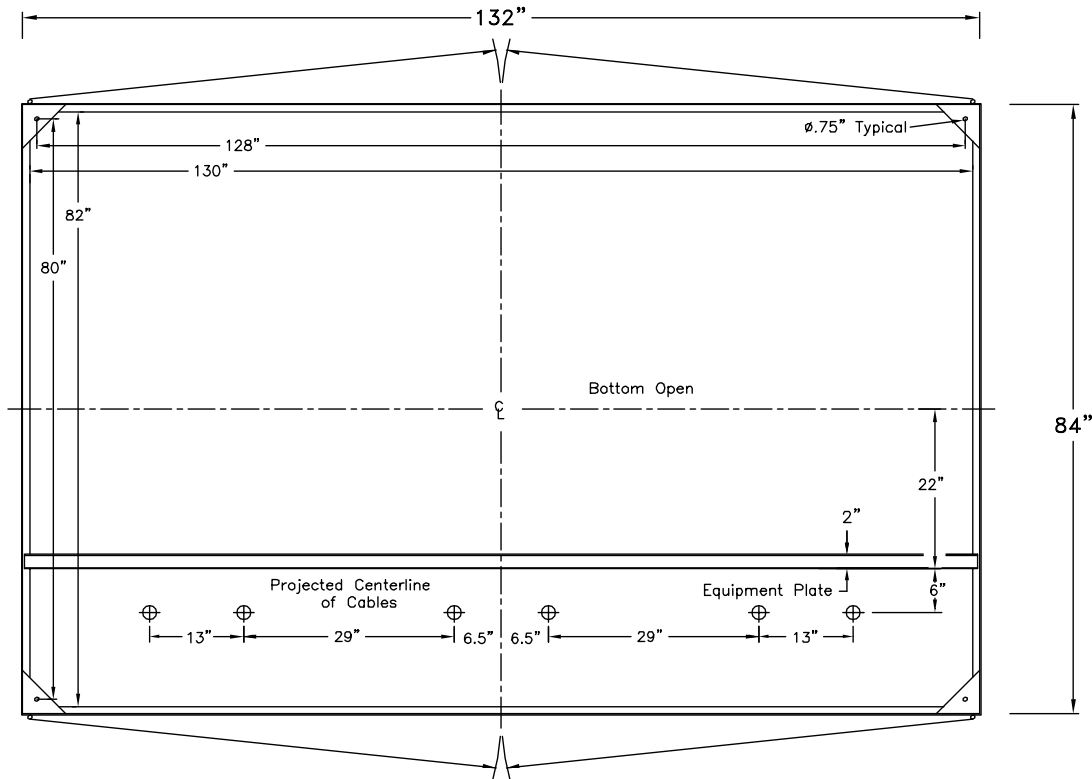


EPM-PTS-25-321P-E6-CM6-250KVA

Three-Phase - Three Ways per Phase
 600 Amp Elliott Air Insulated Bushings
 125 Amp (Max) 15.5 kV Clip Mounted CL Fuse Provisions
 15.2/26.3 kV Grd. Wye Max Design
 60 Hertz, 125 kV BIL



Front View
Doors Removed



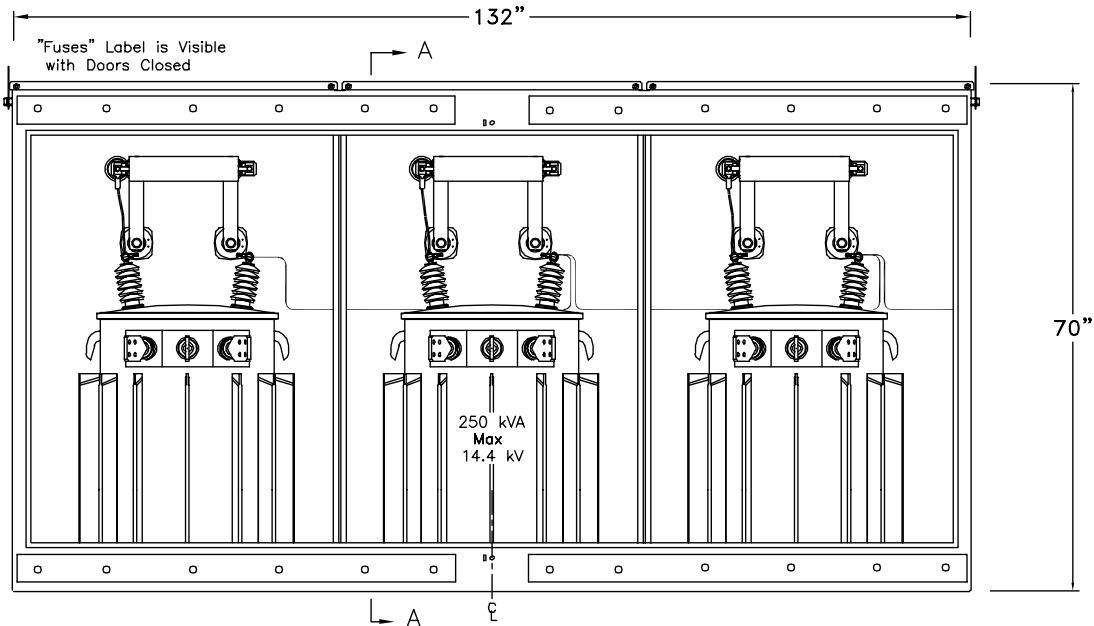
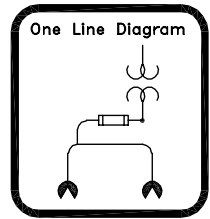
Section BB

11 Gauge Steel Enclosure
 Removable Cross Kinked Tops
 Stainless Steel Hinges
 Stainless Steel Parking Stands
 Recessed Stainless Steel Penta Head Security Bolts
 Clear Polycarbonate Sectional Door Safety Barriers
 8" Min Strike Distance to Ground
 10" Min Strike Distance Phase to Phase
 Paint "Pad-Mount Green" Munsell #7GY 3.29/1.5

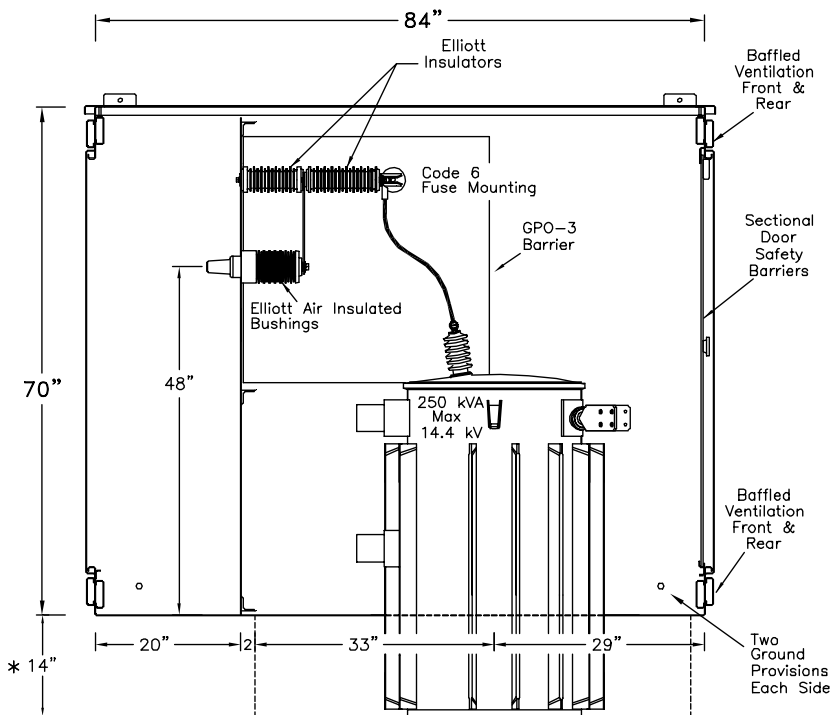
EPM-PTS-25-321P-E6-CM6-250KVA		
Layout		
Date: 09-13-99	File: D99364R0	Drawing No.:
By: ACM	Approved by: JES	99-364-1
Elliott Industries, Inc. Bossier City, Louisiana 71171-6388 U.S.A.		

EPM-PTS-25-321P-E6-CM6-250KVA

Three-Phase - Three Ways per Phase
 600 Amp Elliott Air Insulated Bushings
 125 Amp (Max) 15.5 kV Clip Mounted CL Fuse Provisions
 15.2/26.3 kV Grd. Wye Max Design
 60 Hertz, 125 kV BIL



Rear View
 Doors & Door Safety Barriers Removed



* NOTE: 14" Deep recess in pad

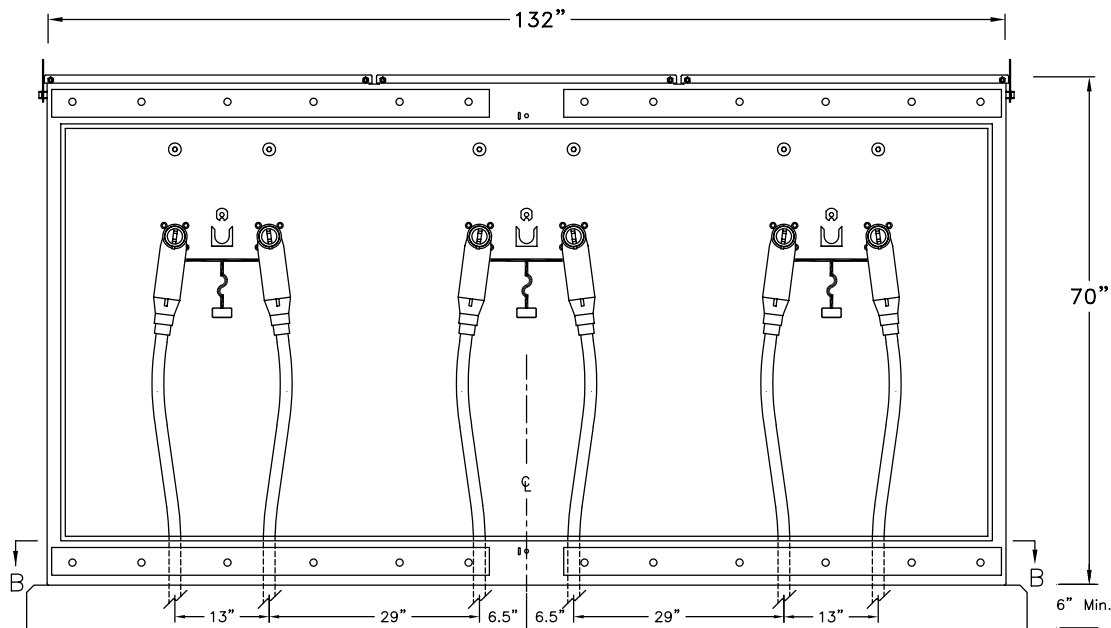
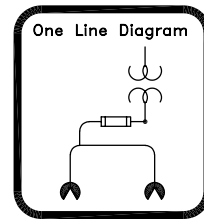
Section AA

11 Gauge Steel Enclosure
 Removable Cross Kinked Tops
 Stainless Steel Hinges
 Stainless Steel Parking Stands
 Recessed Stainless Steel Penta Head Security Bolts
 Clear Polycarbonate Sectional Door Safety Barriers
 8" Min Strike Distance to Ground
 10" Min Strike Distance Phase to Phase
 Paint "Pad-Mount Green" Munsell #7GY 3.29/1.5

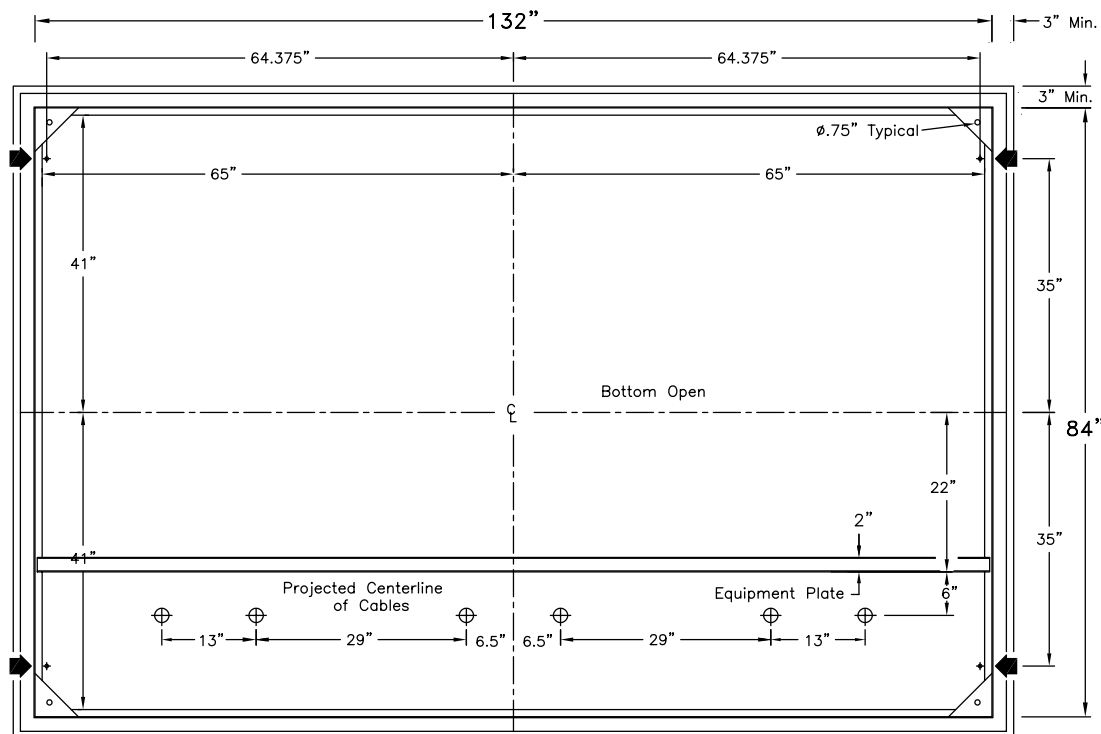
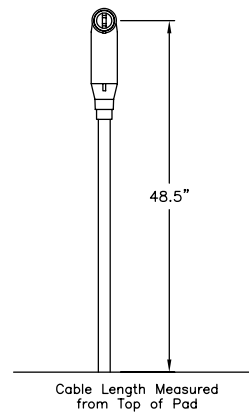
EPM-PTS-25-321P-E6-CM6-250KVA Layout		
Date: 09-13-99	File: D99364R0	Drawing No.:
By: ACM	Approved by: JES	99-364-2
Elliott Industries, Inc. Bossier City, Louisiana 71171-6388 U.S.A.		

EPM-PTS-25-321P-E6-CM6-250KVA

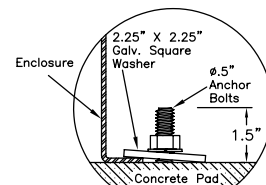
Proposed Cable Training and
Typical Pad Requirements



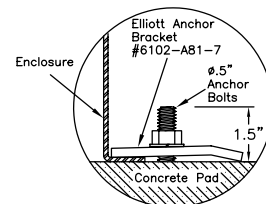
Front View
Doors Removed



Section BB



Alternate #1



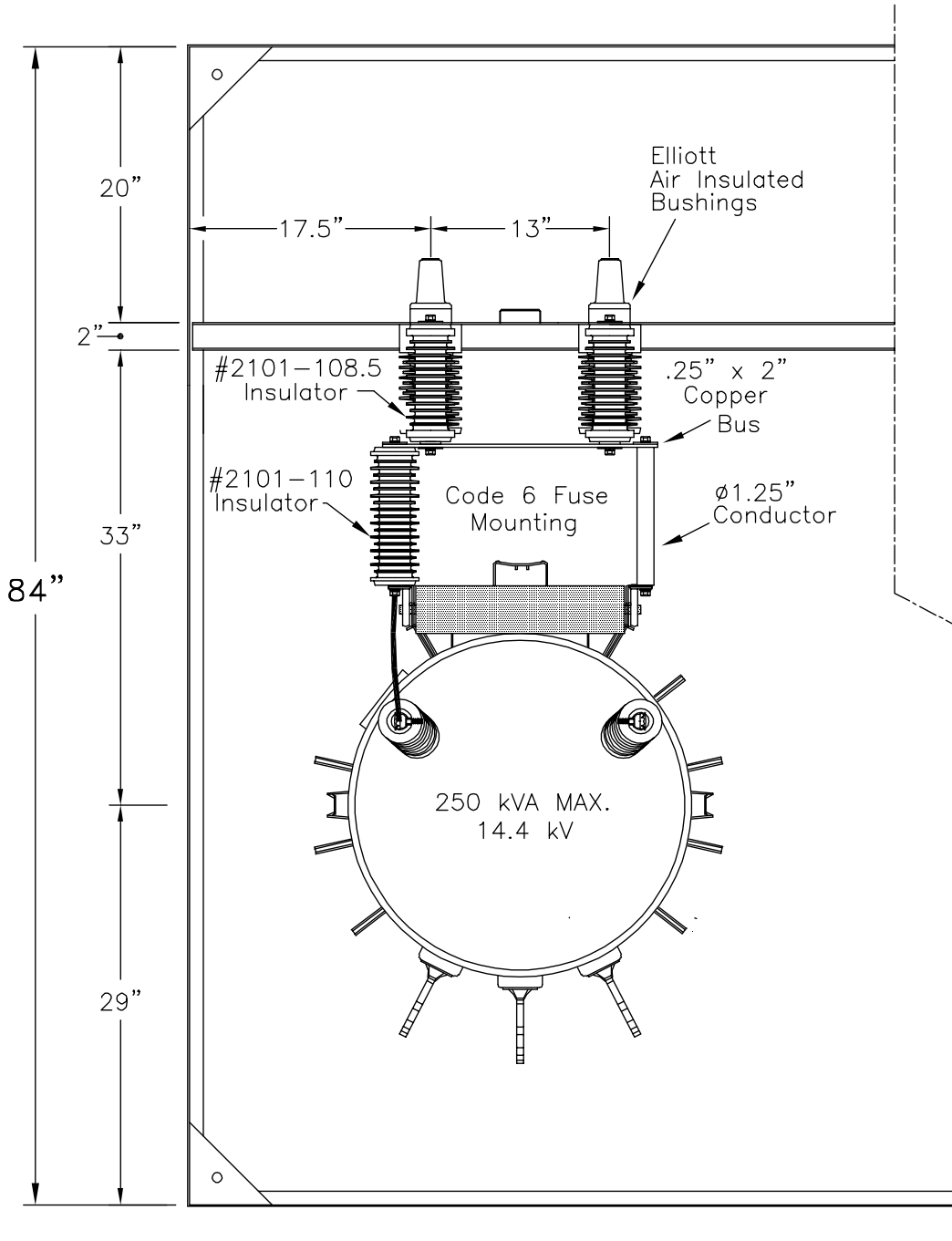
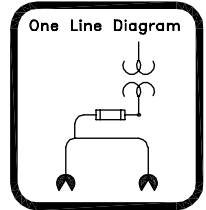
Alternate #2

◆ Anchor Bolt Locations

EPM-PTS-25-321P-E6-CM6-250KVA		
Proposed Cable Training & Pad Requirements		
Date: 09-13-99	File: D99364R0	Drawing No.:
By: ACM	Approved by: JES	99-364-3
Elliott Industries, Inc.		
Bossier City, Louisiana 71171-6388 U.S.A.		

EPM-PTS-25-321P-E6-CM6-250KVA

Three-Phase - Three Ways per Phase
 600 Amp Elliott Air Insulated Bushings
 125 Amp (Max) 15.5 kV Clip Mounted CL Fuse Provisions
 15.2/26.3 kV Grd. Wye Max Design
 60 Hertz, 125 kV BIL



Top View of One Phase

EPM-PTS-25-321P-E6-CM6-250KVA		
Top View of One Phase		
Date: 09-14-99	File: D99364-4RD	Drawing No.:
By: ACM	Approved by: JES	99-364-4
Elliott Industries, Inc. Bossier City, Louisiana 71171-6388 U.S.A.		