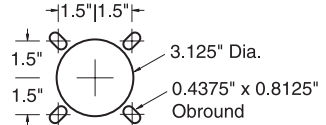


**Standard Mounting Holes**



**Uni-Mount Mounting Holes**

**For 15-kV and 25-kV Connectors (Elbows)**

Elliott "B" Series (bolt-in) apparatus bushings are used to construct air-insulated equipment that connects to the utility's underground shielded cable system with IEEE Standard separable insulated connectors (i.e. elbows). The same 5-hole mounting provision accommodates all "B" Series bushings (the Uni-Mount hole pattern will accommodate Elliott "B" bushings and S&C bushings). Integral shielding prevents "edge-of-hole" corona discharge. The live side of the bushing is provided with unique square-edge skirts and increased leakage distance to resist flashover when severely contaminated and wet. The large diameter live end terminal pad (with female threads) provides for direct contact of current-carrying parts and eliminates exposed sharp threads, which could induce destructive corona discharge. The heavy-duty flange provides exceptionally high cantilever strength so bushings can be used to provide physical support for energized parts. In addition to IEEE Standard 386 design tests, Elliott bushings are design tested for thermal cycle withstand from +200° to -200° F to assure long field life. Every bushing is production tested "in-air" mounted in a grounded steel plate with an insulated protective cap installed on the interface to accurately simulate operating conditions.

**ELRIM Cycloaliphatic Epoxy Provides:**

- Nontracking, self-scouring, nonweathering performance
- Superior dielectric strength, dielectric loss and power factor
- Choice of shapes allows design innovation
- Mechanical and thermal toughness
- Shatter-free arc flashover performance
- Oil resistant

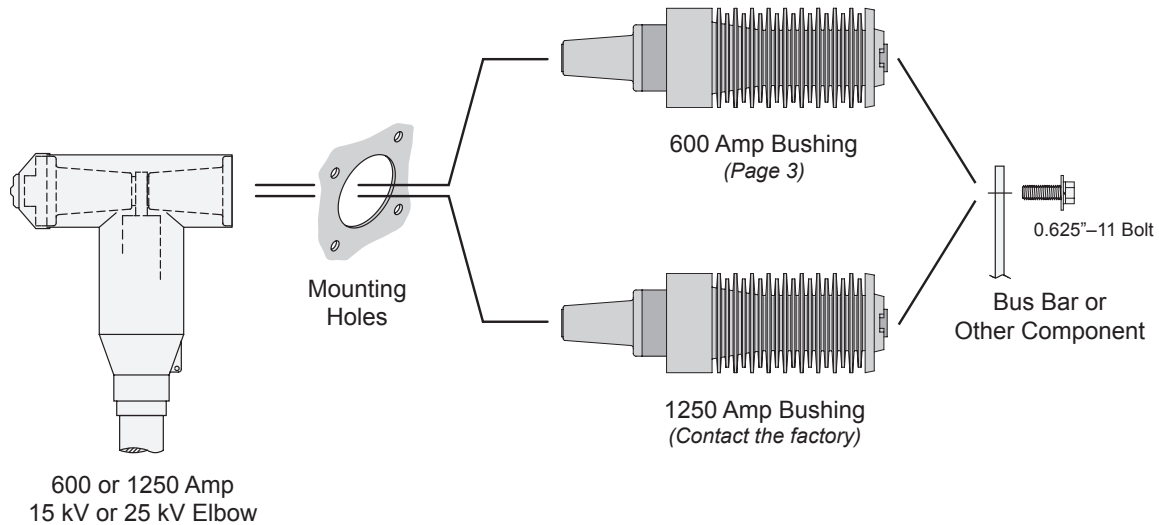
**Elliott Design Provides:**

- Precision molded interfaces per IEEE Standard 386
- Uni-Mount "Bolt-In" design
- Integral shielding to prevent destructive corona discharge
- Increased leakage distance and square-edge skirts resist contamination - wet or dry
- Generous dry arcing (strike) distance
- Large diameter live end terminal pad with female threads for direct contact of current-carrying parts and improved corona performance
- Thermal cycle withstand from +200° to -200° F for long life
- High Strength - field proven performance since 1975

**Ratings and Dimensions of Bushings**

Catalog Number	Voltage Class kV	Continuous Current Amps	Withstand Test Voltage Kilovolts			Minimum Leakage Inches	Minimum Strike Inches
			Impulse 1.2 x 50	One Min. Dry	10 Sec. Dew		
1201-625B Bushing	25	600	150	50	50	43	10
1203-1225B Bushing	25	1250	150	50	50	43	10

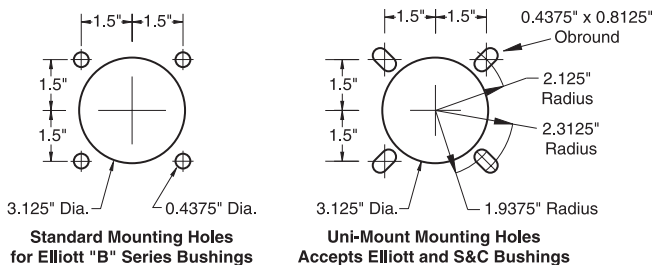
Elastimold® is a registered trademark of ABB Asea Brown Boveri Ltd.



**Common Mounting** - All "B" Series bushings have the same mounting bolt pattern. The installer can punch one mounting hole pattern (either Standard or Uni-Mount) and install any "B" Series bushing or insulator. For example, equipment can be designed for 600 amp bushings, but actually be assembled with 600 and 200 amp bushings. A bushing-style insulator can be used to support one end of a bus bar, and be replaced in the field with a 200 or 600 amp bushing.

**Index Slots** - Elliott "B" Series bushings feature four keying slots on the live end. Fuse clips and hinge kits are available that bolt directly to the bushing conductor and key in the slots to prevent rotation.

**Conductor Connection** - Female threads in the live end of the conductor allow the attachment of live parts of almost any thickness. The bolted connection of current-carrying parts does not depend on current transfer through the fastener's thread-to-thread contact. Additional advantages of the bolted connection are higher clamping pressure and elimination of exposed sharp threads that could initiate corona.



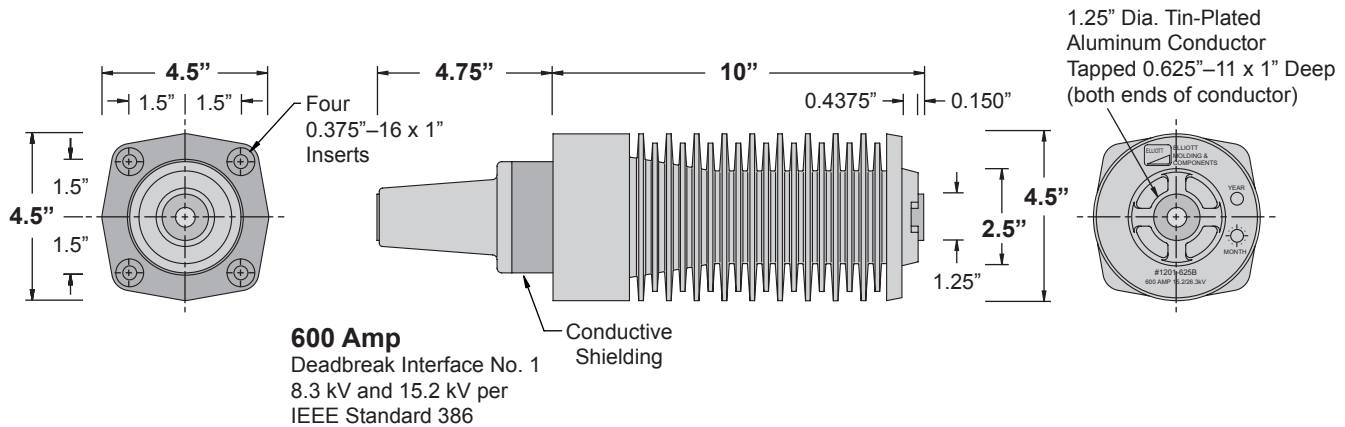


# 25-kV 150-kV BIL Apparatus Bushings

“B” Series (bolt-in) for Elbow to Air-Insulated Service  
600 Amp and 1250 Amp

Descriptive  
Bulletin  
**1025-205**  
Page 3     2015

## 600 Amp Bushing #1201-625B



Voltage Class.....	25 kV
Phase-to-Ground Voltage.....	15.2 kV
BIL.....	150 kV
AC Withstand - 1 Min. Dry.....	50 kV
10 Sec. Dew.....	50 kV
DC Withstand - 15 Min. Dry.....	103 kV
Corona Extinction Level - Minimum.....	26 kV
Continuous Current.....	600 Amps
Momentary - RMS, Sym., 0.17 sec.....	25,000 Amps
RMS, Sym., 3 sec.....	10,000 Amps

Leakage Distance, Inches.....	43
Dry Arcing Distance, Inches.....	10
Mechanical - Strength Rating, Pounds	
Cantilever, Ultimate 2.5 inches past end.....	>1,000
Tensile, Pounds.....	>5,000
Torsion, Inches-Pounds(bolt breaks).....	>3,500
Compression, Pounds.....	20,000
Insert Thread Size.....	0.375"-16 x 1"
Conductor (live end) Thread Size.....	0.625"-11 x 1"
Net Weight, Pounds (kg).....	8.52 (3.83)

### Typical Specifications - 600 Amp 15-kV and 25-kV Bushings

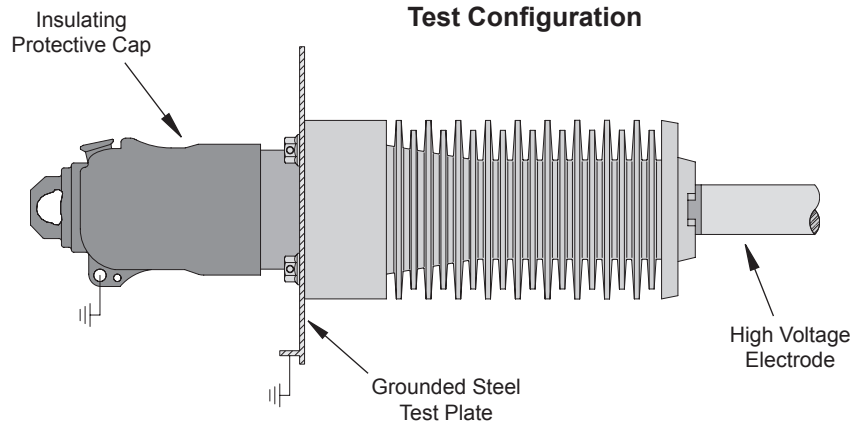
Bushings shall be 600 ampere Elliott #1201-625B, 25 kV Class (15.2 kV to ground) Air-Insulated Bushings, 150 kV BIL, per IEEE Standard 386 Fig. 11 (600 A Deadbreak Interface No. 1, 8.3 kV and 15.2 kV) for use with either 8.3/14.4 kV or 15.2/26.3 kV separable insulated connectors (Elastimold®, Eaton's Cooper Power Systems or other approved equal). The bushings shall be pressure-molded cycloaliphatic epoxy with a 1.25-inch diameter tin-plated aluminum conductor on the "air-insulated" side that is drilled and tapped 0.625-inch-11UNC x 1-inch deep to provide direct connection of the bus and/or live parts. Leakage distance from the apparatus connection end of the bushing to ground shall be not less than 40 inches to assure trouble-free operation in a wet and/or contaminated environment. Integral shielding shall be provided to eliminate partial discharge caused by off-center mounting and mounting holes that may have sharp edges or burrs. Bushings shall mount in a 3.125-inch diameter opening and bolt in place to allow field replacement

with standard tools. The bushing mounting bolts shall be self-locking stainless steel serrated-flange hex-head bolts that "cut" through the enclosure protective finish to ground the integral shielding of each bushing. To assure adequate strength for apparatus support, the bushing shall withstand a minimum cantilever loading of 600 pounds for five minutes without damage. The bushing interface shall be free of all voids, holes and heat sinks to assure proper mating with separable insulated connectors. Each bushing shall be tested in free air, mounted in a grounded steel plate not less than 10 inches x 10 inches, and with an insulated protective cap (Eaton's Cooper Power Systems #DPC625 or equal) installed on the interface to accurately simulate operating conditions (*gas or liquid dielectric on the interface shall not be acceptable for this test*). Each bushing shall meet the requirements for 25 kV devices in accordance with the test values of IEEE Standard 386 (latest revision), including 100 percent production testing.

Elastimold® is a registered trademark of ABB Asea Brown Boveri Ltd.

### Production Tests

Every bushing is production tested "in-air", mounted in an 11-gauge grounded steel plate not less than 10 inches x 10 inches, with an insulating protective cap installed on the interface to accurately simulate operating conditions. Each bushing must meet or exceed the requirements for 21.1/36.6 kV devices in accordance with the test values of IEEE Standard 386 (latest revision) for partial discharge (corona) and AC voltage withstand when tested in this manner.



### Installation Instructions

Elliott "B" Series Apparatus Bushings require a 3.125-inch diameter mounting hole with four 0.4375-inch diameter bolt holes. The bushing bolts in place utilizing four 0.375-inch-16UNC x 1-inch serrated-flange hex-head bolts (or bolts with external tooth lock washers). All mounting hardware is located on the elbow side of the equipment mounting plate to eliminate the possibility of reduced phase-to-ground clearance.

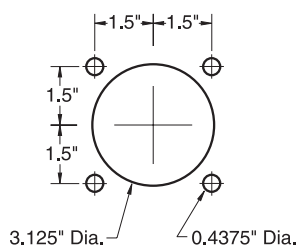
Every Elliott Bushing is tested at the factory, mounted in a grounded steel plate. A greased insulating protective cap is installed on the interface to accurately simulate operating conditions. To prevent contamination of the silicone grease, it is important to keep the shipping cap in place until you are ready to install the elbow. Should the grease become contaminated, thoroughly clean the interface and reapply silicone grease before installing the elbow.

**NOTE:** The shipping cap on the bushing should be left in place to prevent contamination of the interface.

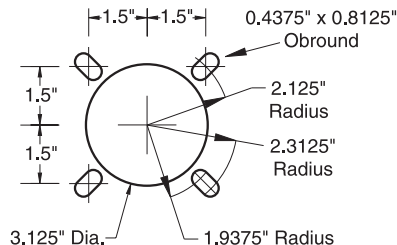
1. The bushing installs from the rear (live) side for easy installation.
2. Serrated-flange bolts (or bolts and external tooth lock washers) are installed. The bolts should be tightened in a uniform manner (rather than one-by-one in a random sequence). Do not apply more than 90 inch-pounds torque to each bolt. The serrated-flange bolts (or external tooth lock washers) must "cut" into the mounting plate to provide a connection from the shielding to the grounded mounting plate. If the bushing is mounted on an ungrounded or insulated plate (such as fiberglass) a ground strap should be attached to one of the mounting bolts.

#### IMPORTANT:

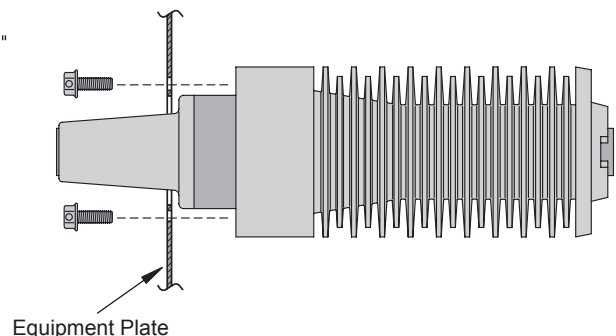
**Do not energize this bushing with only the shipping cap in place.** To do so would lead to failure of this bushing and create a hazard to operating personnel. This product is designed to be used **only** when it is mated with an appropriate 15 kV or 25 kV Class elbow conforming to the latest revision of IEEE Standard 386. The elbow should be installed in accordance with the instructions supplied by the connector manufacturer.



**Standard Mounting Holes for Elliott "B" Series Bushings**



**Uni-Mount Mounting Holes Accepts Elliott and S&C Bushings**



Elastimold® is a registered trademark of ABB Asea Brown Boveri Ltd.