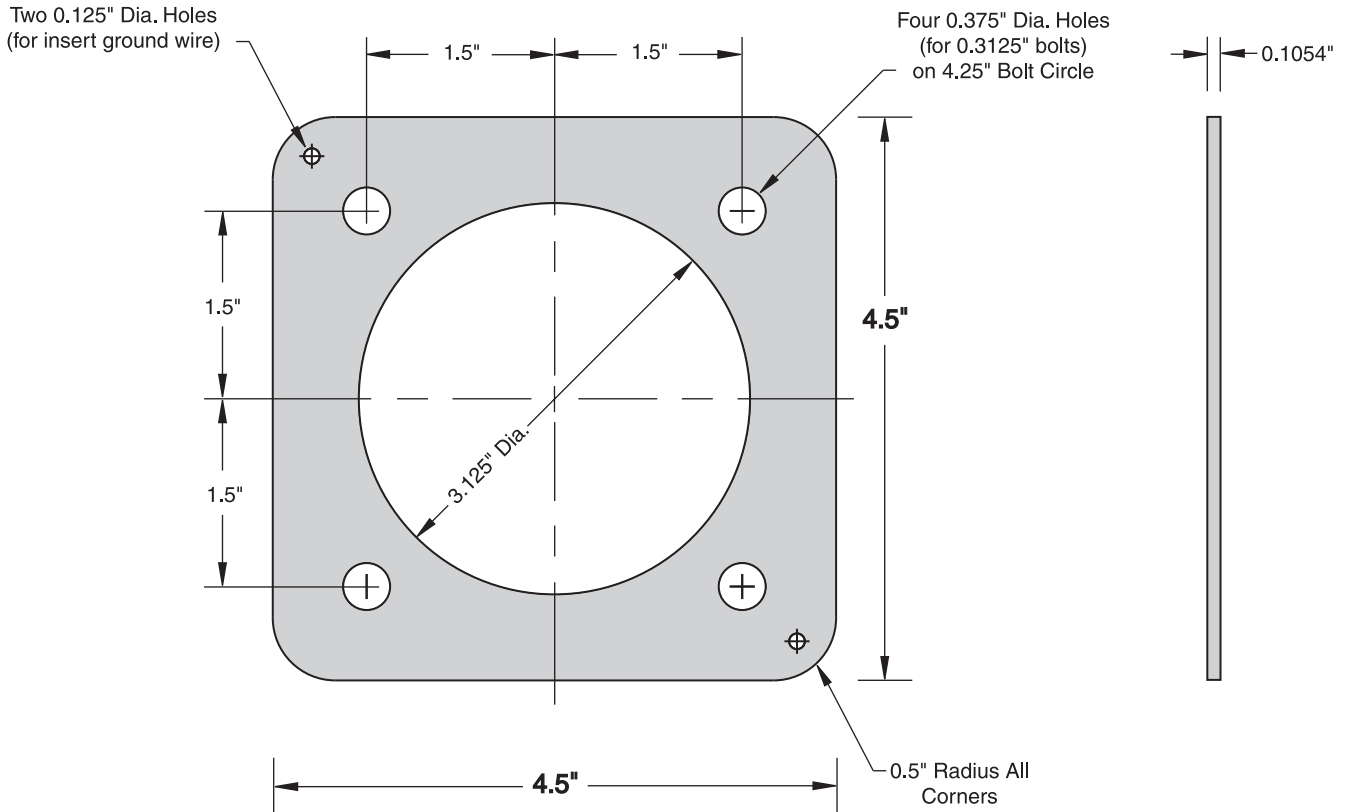




Bushing Clamp Ring

For Elliott Air-Insulated Bushings

Descriptive Bulletin
1900
 Page 1 2015



Recommended Mounting:
 Four 0.3125"-18 x 1.25"
 Studs on 4.25" Bolt Circle

Catalog Number	Description	Material
1900-CR4S	Bushing Clamp Ring	12-gauge #304L Stainless Steel



Bushing Clamp Ring
For Elliott Air-Insulated Bushings

Descriptive
Bulletin
1900
Page 2 2015

If you do not find the design
you need

PLEASE CONTACT

our REPRESENTATIVE or the FACTORY