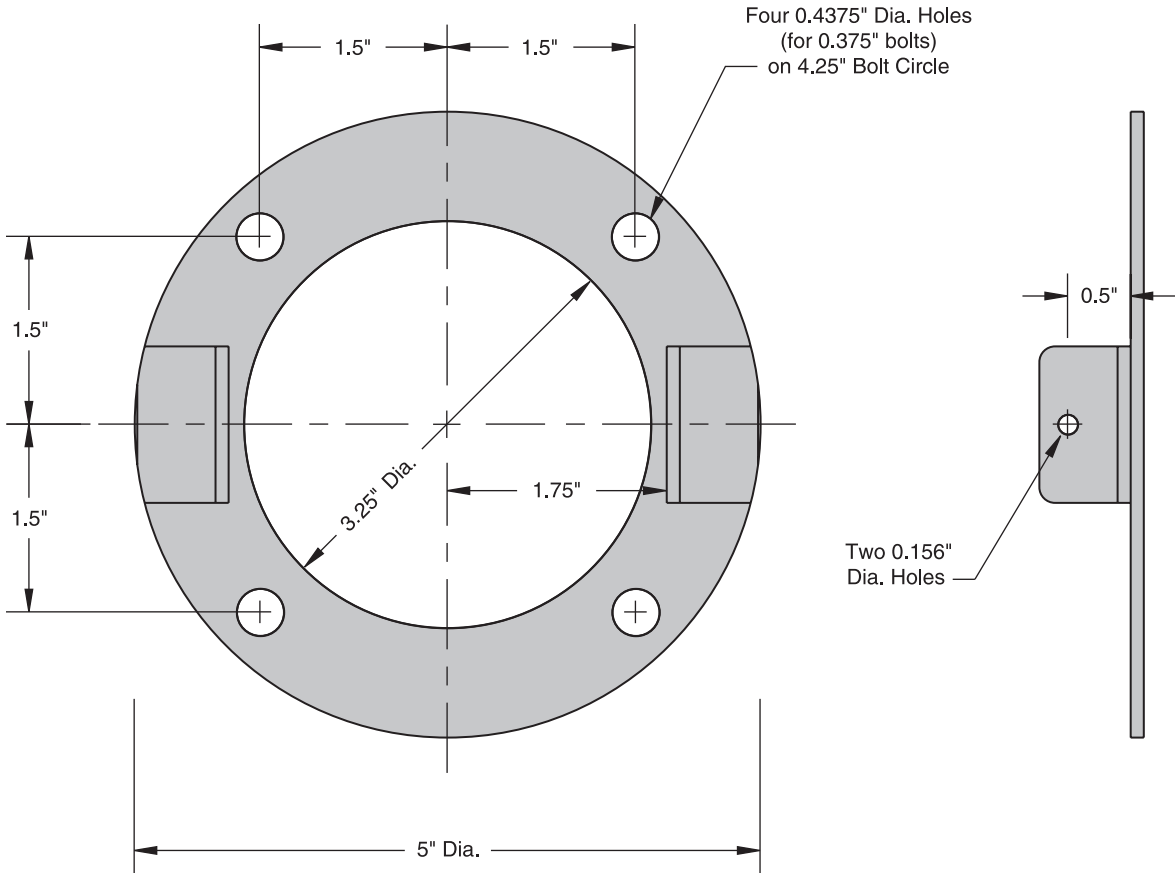




# Bushing Bail Ring

For Elliott Air-Insulated Bushings

Descriptive  
Bulletin  
**1903**  
Page 1    2015



Catalog No.	Description	Material
1903-BBR9087A	Bushing Bail Ring	0.125" #5052H32 Aluminum
1903-BBR9087SS	Bushing Bail Ring	12-gauge #304L Stainless Steel



**Bushing Bail Ring**  
For Elliott Air-Insulated Bushings

Descriptive  
Bulletin  
**1903**  
Page 2 2015

**If you do not find the design  
you need**

**PLEASE CONTACT**

**our REPRESENTATIVE or the FACTORY**