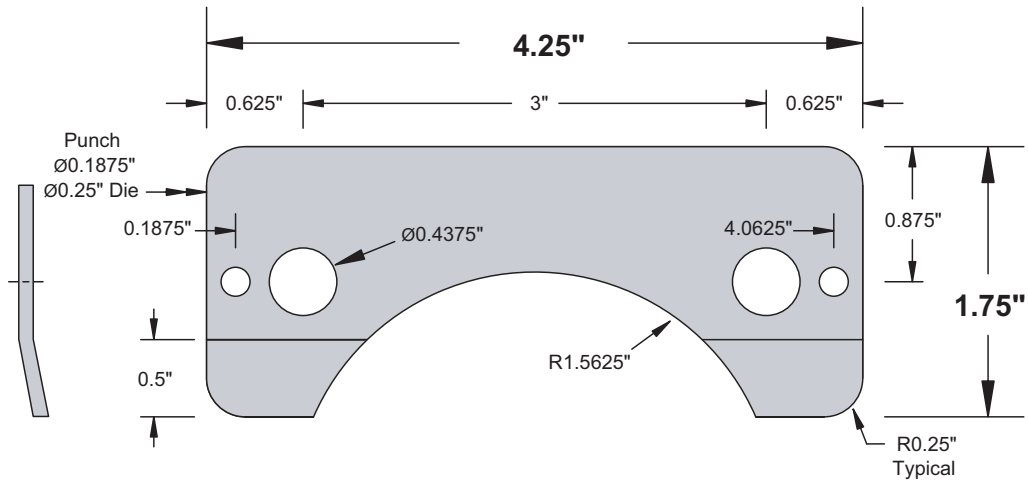
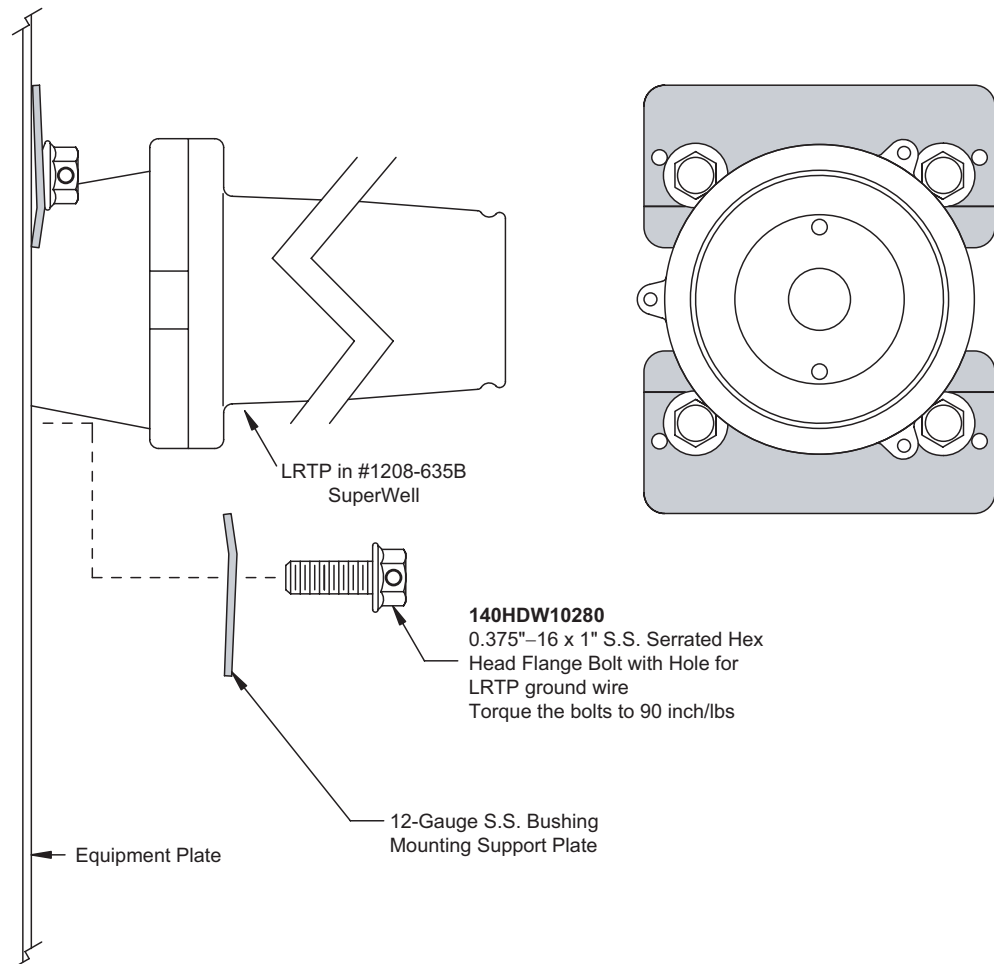


# Bushing Mounting Support Plate

For Elliott Air-Insulated SuperWells



Catalog Number	Description	Material
1908-BMSP	Bushing Mounting Support Plate (with burr to "cut" through paint to ground)	12-gauge #304L Stainless Steel





## **Bushing Mounting Support Plate**

For Elliott Air-Insulated SuperWells

Descriptive  
Bulletin  
**1908**  
Page 2 2015

**If you do not find the design  
you need**

**PLEASE CONTACT**

**our REPRESENTATIVE or the FACTORY**