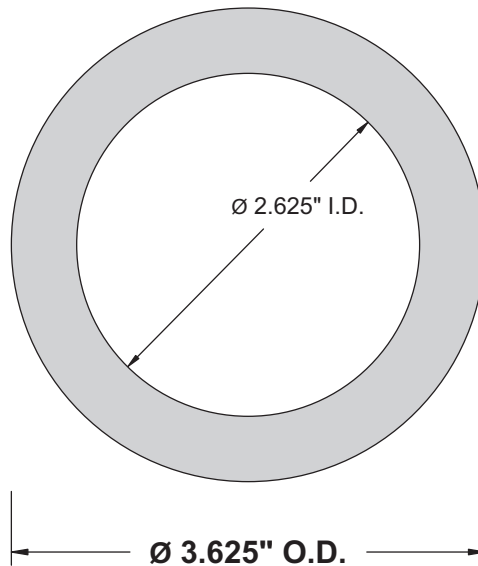


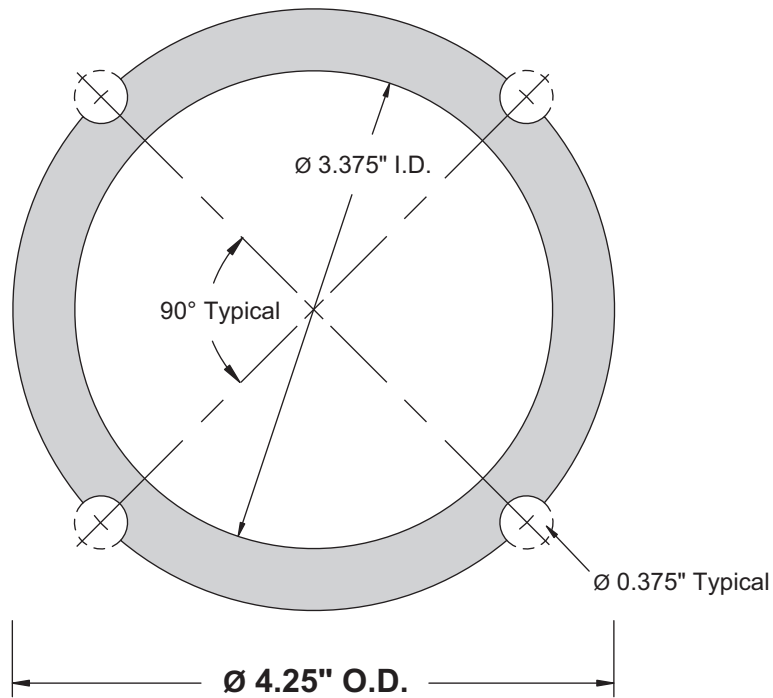
For use with "B" Series and "C" Series (bolt-in) Bushings

| Catalog Number | Description | Material |
|----------------|-------------|-------------------------|
| 1971-GB1 | Gasket | 0.125" Cork-Nitrile |
| 1971-GB2 | Gasket | 0.125" Buna-N (Nitrile) |



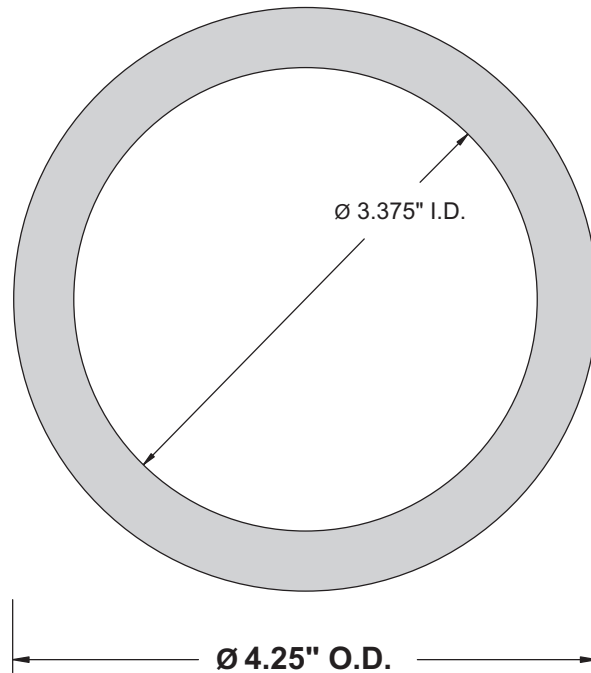
**For use with #1101-225A2 Small “A” Series (clamp-in) Bushing
with #1900-CR4S Clamp Ring**

| Catalog Number | Description | Material |
|----------------|-------------|-------------------------|
| 1971-GA2 | Gasket | 0.125" Buna-N (Nitrile) |



For use with #1201-625A2 and #1102-235A2 Large "A" Series (clamp-in) Bushings with #1900-CR4S Clamp Ring

| Catalog Number | Description | Material |
|----------------|-------------|-------------------------|
| 1971-GA6 | Gasket | 0.125" Buna-N (Nitrile) |



**For use with #1201-625A2F Large “A” Series (clamp-in) Bushing
with #1900-CR4S-A2F Clamp Ring**

| Catalog Number | Description | Material |
|----------------|-------------|-------------------------|
| 1971-GA10 | Gasket | 0.125" Buna-N (Nitrile) |