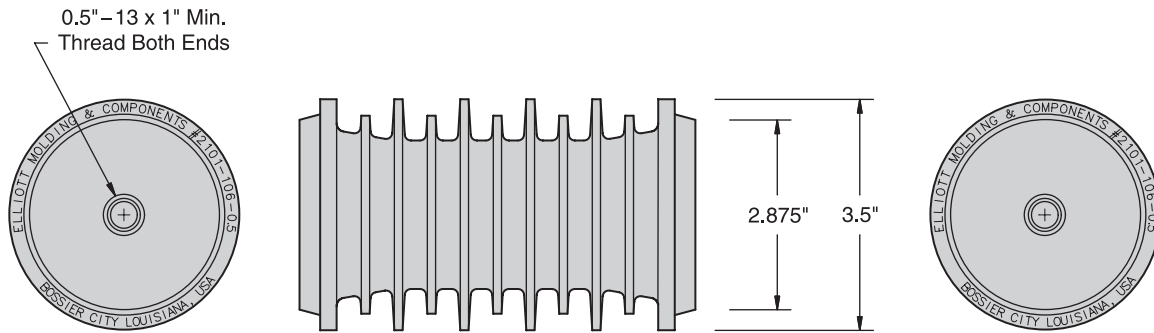




# Apparatus Insulators

Indoor - Outdoor  
Single Bolt Series 0.5"-13 Inserts

Descriptive  
Bulletin  
**2101-010**  
Page 1 2015



### ELRIM Cycloaliphatic Epoxy Provides:

- Nontracking, self-scouring, nonweathering performance
- Superior dielectric strength, dielectric loss and power factor
- Choice of shapes allows design innovation
- Mechanical and thermal toughness
- Shatter-free arc flashover performance
- Oil resistant

### Elliott Design Provides:

- Cast-in-place inserts without metal end caps
- Contamination resistant Elliott square-edge skirts
- Generous dry arcing (strike) distance
- Increased leakage distance to resist contamination
- Thermal cycling withstand from +200° F to -200° F
- High strength - field proven performance
- Experience with cycloaliphatic epoxy since 1975

- 1) To mount the insulator, when no adjustment is required, a 0.5625" diameter mounting hole accommodates the 0.5"-13 thread mounting bolt.
- 2) To mount the insulator, when  $\pm 0.125"$  adjustment is required, a 0.5625" x 0.75" obround slot is required.
- 3) A cast aluminum mounting base, Elliott #2909-B84175, is available to allow for pole or surface mounting.
- 4) A 90-degree aluminum angle bracket, Elliott #2909-L81142, is available to provide for installation of cutouts, potheads or other equipment.

### Important:

*Water that accumulates in the inserts and then freezes will damage epoxy insulators. When insulators are to be installed outdoors, inserts must be partially filled with no-oxide compound (or similar material) to prevent moisture accumulation in the inserts.*

### Ratings and Dimensions of Apparatus Insulators

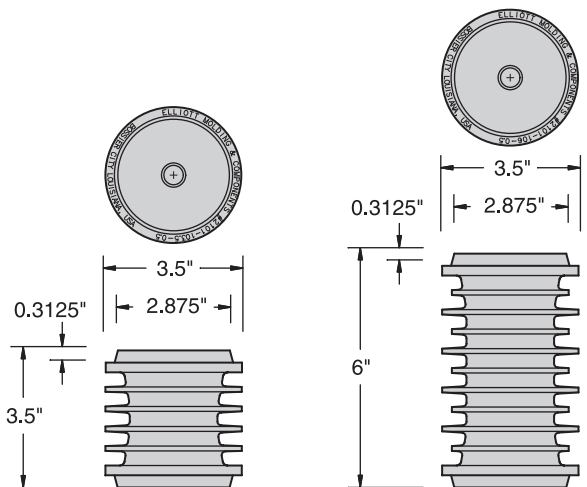
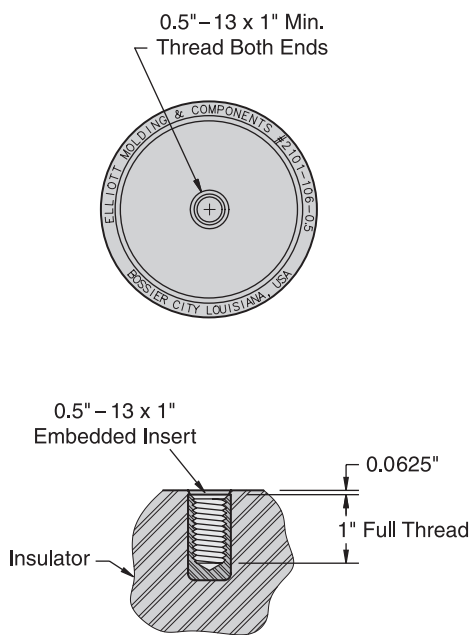
Catalog Number	Nominal Voltage kV	Withstand Test Voltage Kilovolts			Height Inches	Minimum Leakage Inches	Minimum Strike Inches
		Impulse 1.2 x 50	One Min. Dry.	10 Sec. Dew			
2101-103.5-0.5	5	60	26	26	3.5	6	3.5
2101-106-0.5	15	95	50	50	6	14.5	6
2101-107.5-0.5	25	125	60	60	7.5	18	7.5
2101-108.5-0.5	25	125	70	70	8.5	21	8.5
2101-110-0.5	35	150	80	80	10	26.5	10
2101-112.5-0.5	35	200	100	100	12.5	33	12.5



# Apparatus Insulators

Indoor - Outdoor  
Single Bolt Series 0.5"-13 Inserts

Descriptive  
Bulletin  
**2101-010**  
Page 2 2015



#2101-103.5-0.5



#2101-106-0.5

**Important:**

*Water that accumulates in the inserts and then freezes will damage epoxy insulators. When insulators are to be installed outdoors, inserts must be partially filled with no-oxide compound (or similar material) to prevent moisture accumulation in the inserts.*

Catalog Number	2101-103.5-0.5	2101-106-0.5
Electrical Rating, kV		
Nominal Voltage	5	15
BIL	60	95
AC Withstand - 1 Min. Dry	26	50
AC Withstand - 10 Sec. Dew	26	50
Leakage Distance, Inches	6	14.5
Dry Arcing Distance, Inches	3.5	6
Mechanical-Strength Rating, Pounds		
Cantilever, Ultimate 2.5 inches above top*	1,500	900
Tensile, Pounds	4,000	4,000
Torsion, Inch-Pounds	1,600	1,600
Compression, Pounds	20,000	20,000
Insert Thread Size	0.5"-13	0.5"-13
Net Weight, Pounds (kg)	1.7 (0.77)	2.4 (1.1)

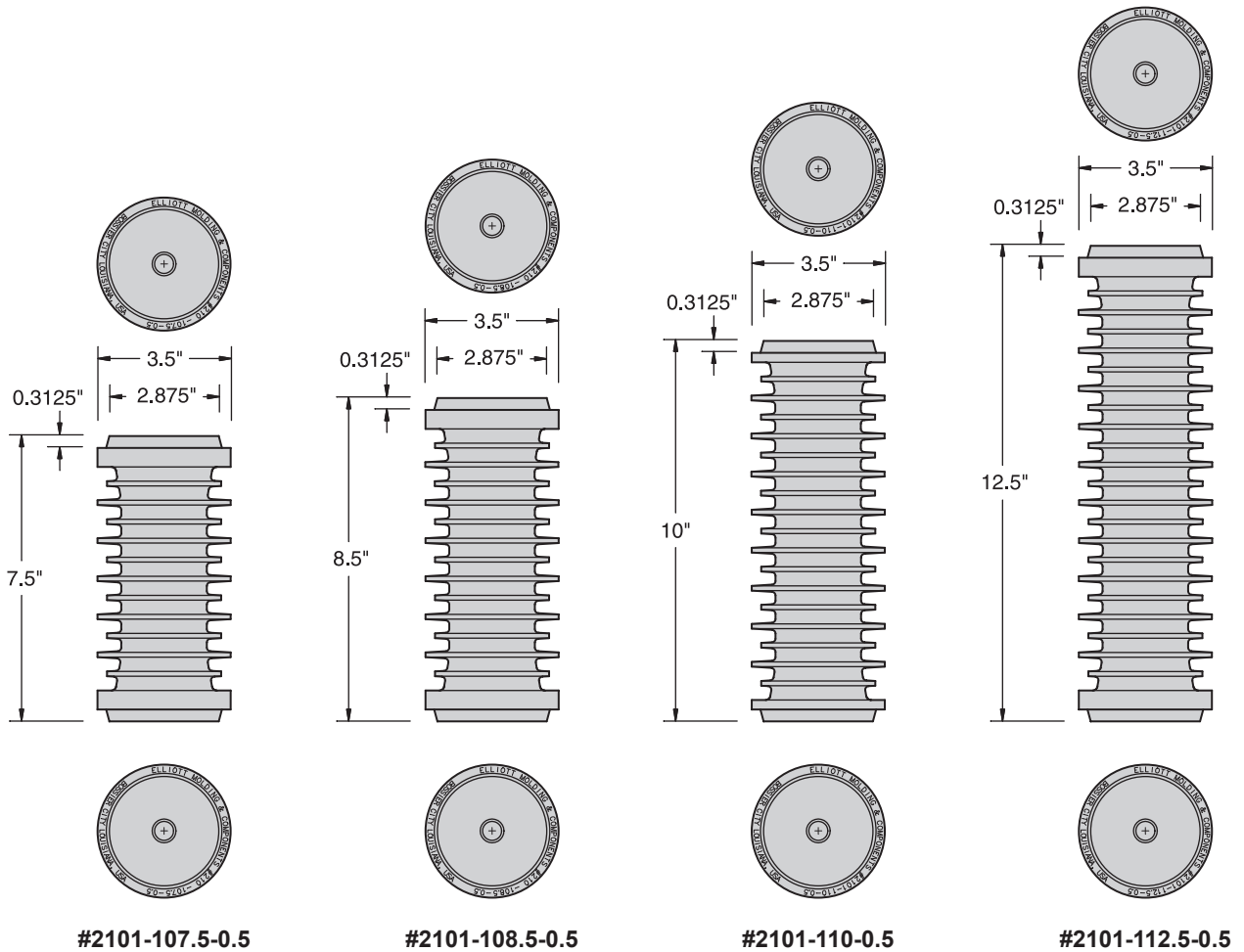
\* To attain their rated cantilever strengths, insulators must be mounted on a flat surface that is at least as wide as the diameter of the base of the insulator. Furthermore, the mounting surface must be free of protrusions, such as lumps from galvanizing, to prevent cracking of the insulator when mounting bolts are tightened.



# Apparatus Insulators

Indoor - Outdoor  
Single Bolt Series 0.5"-13 Inserts

Descriptive  
Bulletin  
**2101-010**  
Page 3 2015



Catalog Number	2101-107.5-0.5	2101-108.5-0.5	2101-110-0.5	2101-112.5-0.5
Electrical Rating, kV				
Nominal Voltage	25	25	35	35
BIL	125	125	150	200
AC Withstand - 1 Min. Dry	60	70	80	100
AC Withstand - 10 Sec. Dew	60	70	80	100
Leakage Distance, Inches	18	21	26.5	33
Dry Arcing Distance, Inches	7.5	8.5	10	12.5
Mechanical-Strength Rating, Pounds				
Cantilever, Ultimate 2.5 inches above top*	800	750	600	400
Tensile, Pounds	4,000	4,000	4,000	4,000
Torsion, Inch-Pounds	1,600	1,600	1,600	1,600
Compression, Pounds	20,000	20,000	20,000	20,000
Insert Thread Size	0.5"-13	0.5"-13	0.5"-13	0.5"-13
Net Weight, Pounds (kg)	3.1 (1.4)	3.4 (1.6)	3.8 (1.7)	4.4 (2.0)



**Apparatus Insulators**  
Indoor - Outdoor  
Single Bolt Series 0.5"-13 Inserts

Descriptive  
Bulletin  
**2101-010**  
Page 4 2015

**If you do not find the design  
you need**

**PLEASE CONTACT**

**our REPRESENTATIVE or the FACTORY**