

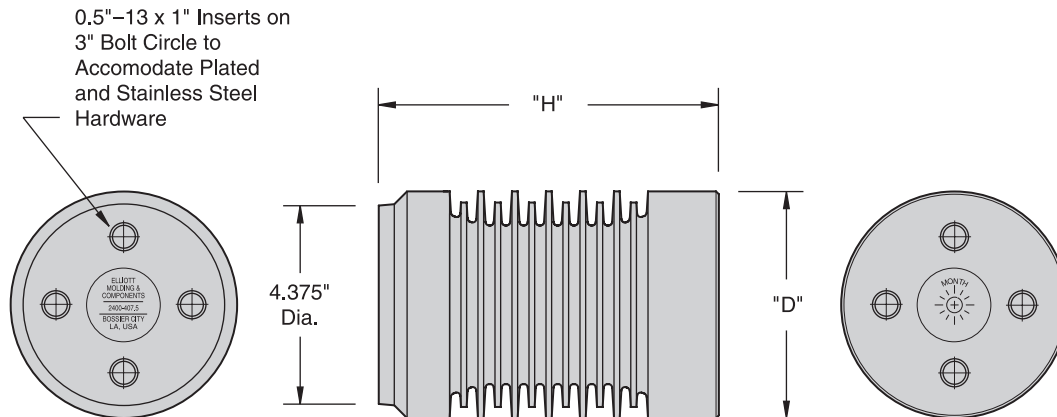


Station Post Insulators

Outdoor

Four Bolt Series 0.5"-13 Inserts

Descriptive
Bulletin
2400-001
Page 1 2016



ELRIM Cycloaliphatic Epoxy Provides:

- Nontracking, self-scouring, nonweathering performance
- Superior dielectric strength, dielectric loss and power factor
- Choice of shapes allows design innovation
- Mechanical and thermal toughness
- Shatter-free arc flashover performance
- Oil resistant

Elliott Design Provides:

- Cast-in-place inserts without metal end caps
- Contamination resistant Elliott square-edge skirts
- Generous dry arcing (strike) distance
- Increased leakage distance to resist contamination
- Thermal cycling withstand from +200° F to -200° F
- High strength - field proven performance
- Experience with cycloaliphatic epoxy since 1975

The post-type four-bolt apparatus insulator provides a 3-inch bolt circle and may be used as a direct replacement for porcelain and non-porcelain insulators. This unusually compact design may be mounted in any position. The unique Elliott square-edge skirt design provides unusually high performance in contaminated conditions - wet or dry. High cantilever strength and the other superior qualities of cycloaliphatic epoxy make this insulator a high-performance component.

Important:

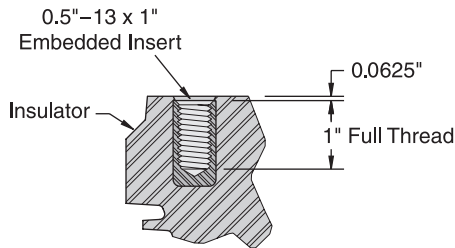
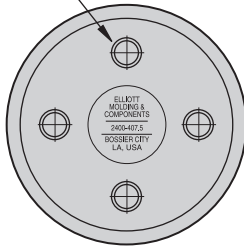
Water that accumulates in the inserts and then freezes will damage epoxy insulators. When insulators are to be installed outdoors, inserts must be partially filled with no-oxide compound (or similar material) to prevent moisture accumulation in the inserts.

Ratings and Dimensions of Outdoor Station Post Insulators

Catalog Number	Porcelain Station-Post Insulator for Comparison	Nominal Voltage kV	Withstand Test Voltage Kilovolts			"H" Height Inches	"D" Diameter Inches	Minimum Leakage Inches	Minimum Strike Inches
			Impulse 1.2 x 50	One Min. Dry.	10 Sec. Dew				
2400-406	--	8	95	50	30	6	5	14	6
--	TR202	--	95	--	30	7.5	--	10.5	--
2400-407.5	--	15	125	60	45	7.5	5	20	7.5
2400-408.5	--	15	125	70	50	8.5	5	20.75	8.5
--	TR205	--	110	--	45	10	--	15.5	--
2400-410	--	25	150	80	60	10	5	29	10
--	TR208	--	150	--	60	14	--	24	--
2400-414	--	35	200	95	80	14	5.25	44.5	14
--	TR210	--	200	--	80	18	--	37	--
2400-418	--	46	250	120	100	18	6	60	18
--	TR214	--	250	--	100	22	--	43	--

Elliott station post insulators meet or exceed the electrical and mechanical-strength requirements established in ANSI/IEEE Standard C29.9 (1983) for porcelain standard-strength station post insulators.

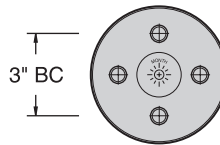
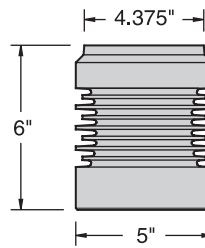
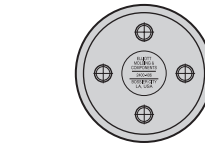
0.5"-13 x 1" Inserts on 3"
Bolt Circle to Accomodate
Plated and Stainless Steel
Hardware



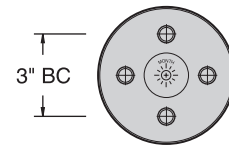
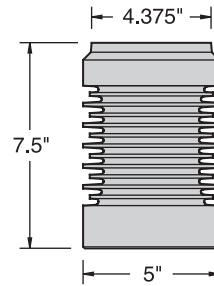
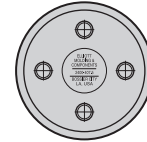
Insert Detail

Important:

Water that accumulates in the inserts and then freezes will damage epoxy insulators. When insulators are to be installed outdoors, inserts must be partially filled with no-oxide compound (or similar material) to prevent moisture accumulation in the inserts.



#2400-406



#2400-407.5

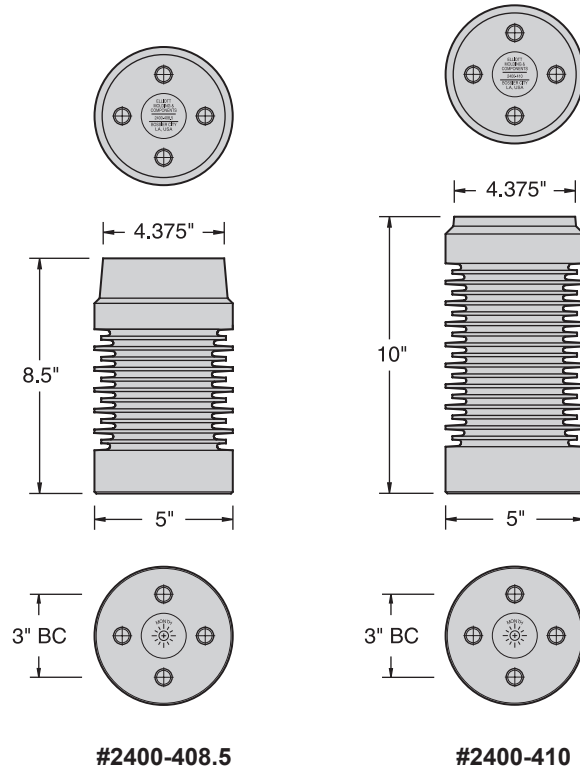
Catalog Number	2400-406	--	2400-407.5	--
Porcelain Station-Post Insulator for Comparison	--	TR202	--	TR205
Electrical Rating, kV				
Nominal Voltage	8	--	15	--
BIL	95	95	125	110
AC Withstand - 1 Min. Dry	50	--	60	--
AC Withstand - 10 Sec. Dew	30	30	45	45
Height of Insulator, Inches	6	7.5	7.5	10
Leakage Distance, Inches	14	10.5	20	15.5
Dry Arcing Distance, Inches	6	--	7.5	--
Mechanical-Strength Rating, Pounds				
Cantilever, Ultimate 2.5 inches above top*	3,000	2,000	3,000	2,000
Tensile, Pounds	10,000	7,000	10,000	8,500
Torsion, Inch-Pounds	8,000	6,000	8,000	7,000
Compression, Pounds	20,000	10,000	20,000	10,000
Insert Thread Size	0.5"-13	0.5"-13	0.5"-13	0.5"-13
Net Weight, Pounds (kg)	6.42 (2.91)	--	7.57 (3.43)	--

* To attain their rated cantilever strengths, insulators must be mounted with the large end on a flat surface that is at least as wide as the diameter of the base of the insulator. Furthermore, the mounting surface must be free of protrusions, such as lumps from galvanizing, to prevent cracking of the insulator when mounting bolts are tightened.

Station Post Insulators

Outdoor

Four Bolt Series 0.5"-13 Inserts



Similar to S&C
#PA-7252

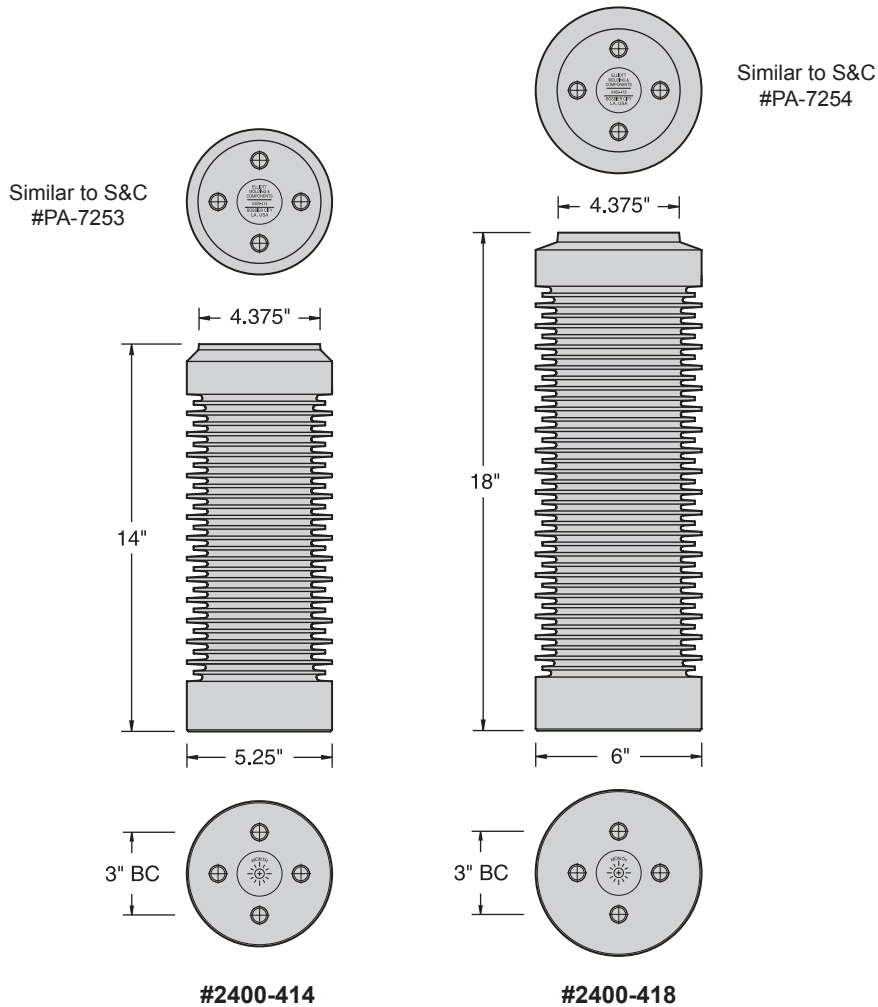
Catalog Number	2400-408.5	--	2400-410	--
Porcelain Station-Post Insulator for Comparison	--	TR205	--	TR208
Electrical Rating, kV				
Nominal Voltage	15	--	25	--
BIL	125	110	150	150
AC Withstand - 1 Min. Dry	70	--	80	--
AC Withstand - 10 Sec. Dew	50	45	60	60
Height of Insulator, Inches	8.5	10	10	14
Leakage Distance, Inches	20.75	15.5	29	24
Dry Arcing Distance, Inches	8.5	--	10	--
Mechanical-Strength Rating, Pounds				
Cantilever, Ultimate 2.5 inches above top*	3,000	2,000	2,500	2,000
Tensile, Pounds	12,000	8,500	12,000	10,000
Torsion, Inch-Pounds	10,000	7,000	10,000	8,000
Compression, Pounds	20,000	10,000	20,000	10,000
Insert Thread Size	0.5"-13	0.5"-13	0.5"-13	0.5"-13
Net Weight, Pounds (kg)	8.79 (3.99)	--	9.49 (4.30)	--



Station Post Insulators

Outdoor
Four Bolt Series 0.5"–13 Inserts

Descriptive
Bulletin
2400-001
Page 4 2016



Catalog Number	--	2400-414	--	2400-418	--
Porcelain Station-Post Insulator for Comparison	TR208	--	TR210	--	TR214
Electrical Rating, kV					
Nominal Voltage	--	35	--	46	--
BIL	150	200	200	250	250
AC Withstand - 1 Min. Dry	--	95	--	120	--
AC Withstand - 10 Sec. Dew	60	80	80	100	100
Height of Insulator, Inches	14	14	18	18	22
Leakage Distance, Inches	24	44.5	37	60	43
Dry Arcing Distance, Inches	--	14	--	18	--
Mechanical-Strength Rating, Pounds					
Cantilever, Ultimate 2.5 inches above top*	2,000	2,000	2,000	2,000	2,000
Tensile, Pounds	10,000	12,000	12,000	14,000	14,000
Torsion, Inch-Pounds	8,000	10,000	10,000	12,000	12,000
Compression, Pounds	10,000	20,000	15,000	20,000	15,000
Insert Thread Size	0.5"–13	0.5"–13	0.5"–13	0.5"–13	0.5"–13
Net Weight, Pounds (kg)	--	13.80 (6.26)	--	22.30 (10.12)	--