

ELRIM Cycloaliphatic Epoxy Provides:

- Nontracking, self-scouring, nonweathering performance
- Superior dielectric strength, dielectric loss and power factor
- Choice of shapes allows design innovation
- Mechanical and thermal toughness
- Shatter-free arc flashover performance
- Oil resistant

Elliott Design Provides:

- Cast-in-place inserts without metal end caps
- Contamination resistant Elliott square-edge skirts
- Generous dry arcing (strike) distance
- Increased leakage distance to resist contamination
- Thermal cycling withstand from +200° F to -200° F
- High strength - field proven performance
- Experience with cycloaliphatic epoxy since 1975

Ratings and Dimensions of Line Post Insulators

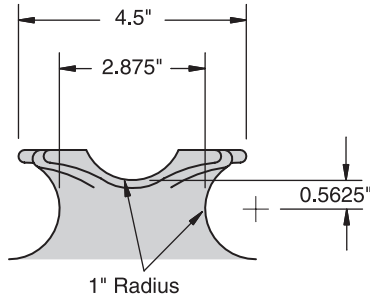
Catalog Number	Nominal Voltage kV	Withstand Test Voltage Kilovolts			Height Inches	Minimum Leakage Inches	Minimum Strike Inches
		Impulse 1.2 x 50	One Min. Dry.	10 Sec. Dew			
2530-F107.5 Future	15	95	50	30	7.5	20	5
2530-F109.5 Future	25	125	60	40	9.5	30	7
2530-F112	35	150	70	60	12	43	9.5
2530-F115 Future	45	200	100	80	15	58	12.5



Line Post Insulators

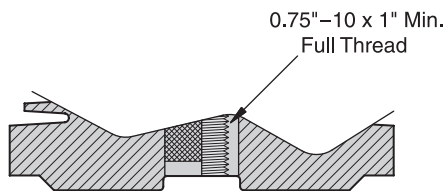
For Crossarm or Bracket Mounting

Descriptive
Bulletin
2530-001
Page 2 2015

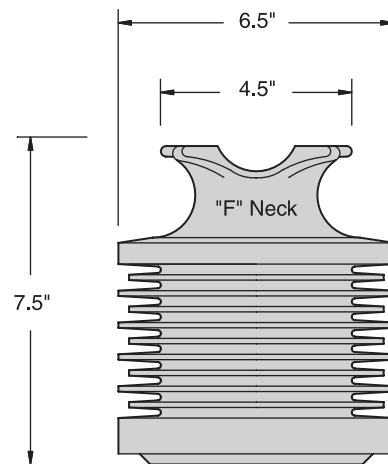


"F" Neck tie top head
for Wraplock or
conventional tie

Head Detail



Base Detail



**#2530-F107.5
Future**

Catalog Number	2530-F107.5 Future
Electrical Rating, kV	
Nominal Voltage	15
BIL	95
AC Withstand - 1 Min. Dry	50
AC Withstand - 10 Sec. Dew	30
Leakage Distance, Inches	20
Dry Arcing Distance, Inches	5
Mechanical-Strength Rating, Pounds	
Cantilever, Ultimate 2.5 inches above top*	4,500
Tensile, Pounds	5,000
Torsion, Inch-Pounds	N/A
Compression, Pounds	20,000
Insert Thread Size	0.75"-10 x 1"
Net Weight, Pounds (kg)	- -

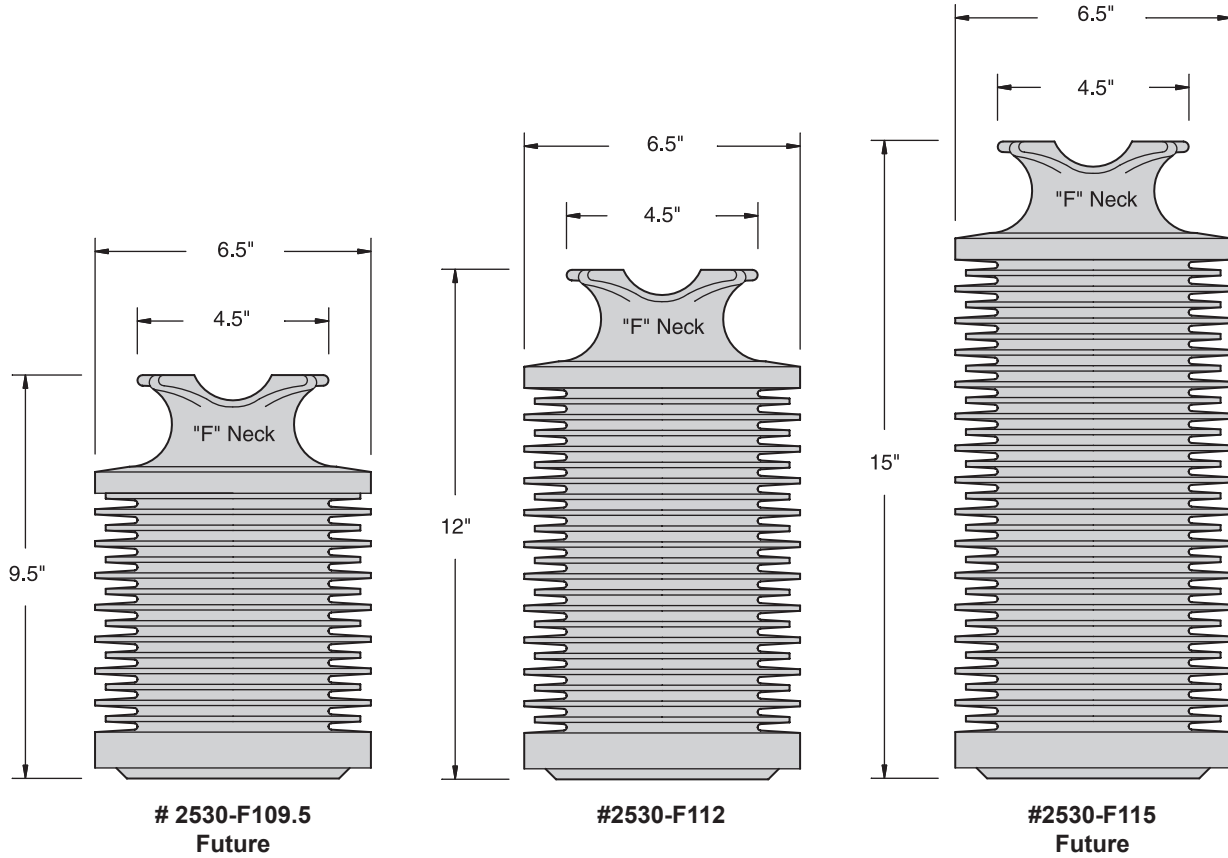
* To attain their rated cantilever strengths, insulators must be mounted on a flat surface that is at least as wide as the diameter of the base of the insulator. Furthermore, the mounting surface must be free of protrusions, such as lumps from galvanizing, to prevent cracking of the insulator when mounting bolts are tightened.



Line Post Insulators

For Crossarm or Bracket Mounting

Descriptive
Bulletin
2530-001
Page 3 2015

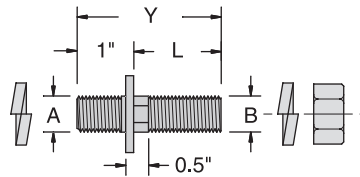


Catalog Number	2530-F109.5 Future	2530-F112	2530-F115 Future
Electrical Rating, kV			
Nominal Voltage	25	35	45
BIL	125	150	200
AC Withstand - 1 Min. Dry	60	70	100
AC Withstand - 10 Sec. Dew	40	60	80
Leakage Distance, Inches	30	43	58
Dry Arcing Distance, Inches	7	9.5	12.5
Mechanical-Strength Rating, Pounds			
Cantilever, Ultimate 2.5 inches above top*	4,500	4,500	4,000
Tensile, Pounds	5,000	5,000	5,000
Torsion, Inch-Pounds	N/A	N/A	N/A
Compression, Pounds	20,000	20,000	20,000
Insert Thread Size	0.75"-10 x 1"	0.75"-10 x 1"	0.75"-10 x 1"
Net Weight, Pounds (kg)	--	15.545 (7.054)	--

* Maximum Recommended Working Load = 40% of Cantilever Rating

Mounting Studs for Line Post Insulators

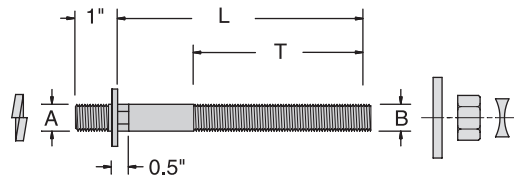
(For use on Steel)



Stock Number (Hughes)	Y Inches	L Inches	A Inches	B Inches	Weight Pounds Per 100
2751.1A	3	1.875	0.75	0.75	63
2751.3A	3.875	2.75	0.75	0.75	73
2751.4A	3.5	2.375	0.75	0.75	68

Standard package: 100

(For use on Wood)



Stock Number (Hughes)	L Inches	T Inches	A Inches	B Inches	Weight Pounds Per 100
2753.1A	7	4	0.75	0.75	140
2753.2A	8	6	0.75	0.75	152
2753.3A	9	6	0.75	0.75	163
2753.4A	10	6	0.75	0.75	172
2753.5A	11	6	0.75	0.75	183
2753.6A	12	6	0.75	0.75	194
2753.7A	14	6	0.75	0.75	214
2753.8A	16	6	0.75	0.75	234

Standard package: 30