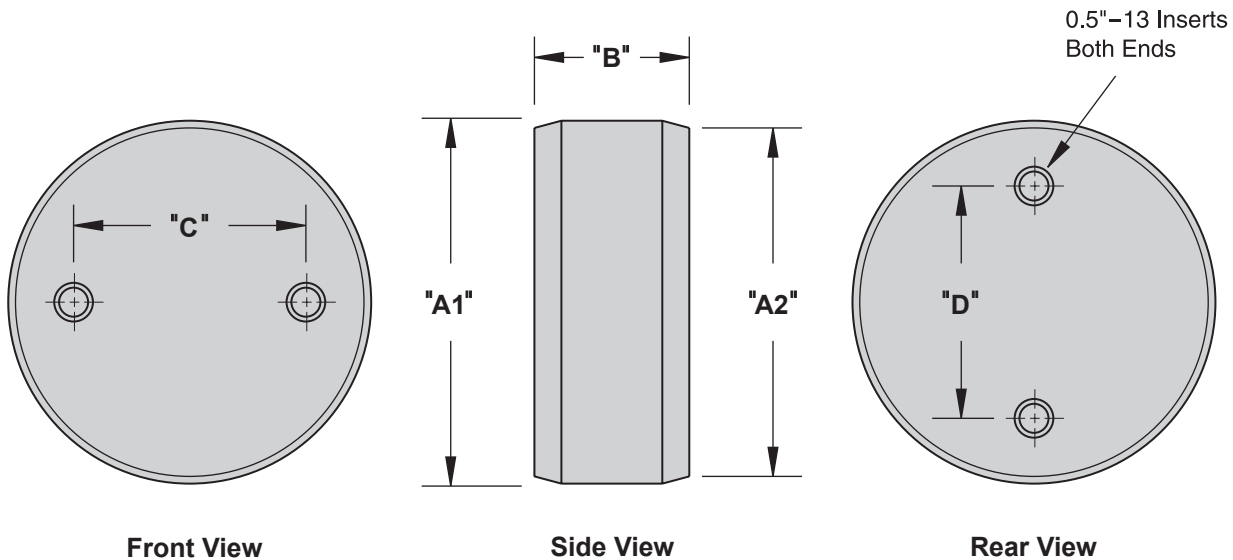




Apparatus Insulators

Indoor - Outdoor
Special Bolt Series 0.5"-13 Inserts

Descriptive
Bulletin
2960
Page 1 2015



ELRIM Cyloaliphatic Epoxy Provides:

- Nontracking, self-scouring, nonweathering performance
- Superior dielectric strength, dielectric loss and power factor
- Choice of shapes allows design innovation
- Mechanical and thermal toughness
- Shatter free arc flashover performance
- Oil resistant

Elliott Design Provides:

- Thermal cycling withstand from +200° F to -200° F
- High strength - field proven performance
- Experience with cycloaliphatic epoxy since 1975

Important:

Water that accumulates in the inserts and then freezes will damage epoxy insulators. When insulators are to be installed outdoors, inserts must be partially filled with no-oxide compound (or similar material) to prevent moisture accumulation in the inserts.

Ratings and Dimensions of Apparatus Insulator

Catalog Number	Nominal Voltage kV	Dimensions Inches					Compression Pounds	Net Weight Pounds
		"A1"	"A2"	"B"	"C"	"D"		
2960-202-0.5	0.6	4.75	4.5	2	3	3	20,000	2.3



Apparatus Insulators
Indoor - Outdoor
Special Bolt Series 0.5"–13 Inserts

Descriptive
Bulletin
2960
Page 2 2015

**If you do not find the design
you need**

PLEASE CONTACT

our REPRESENTATIVE or the FACTORY