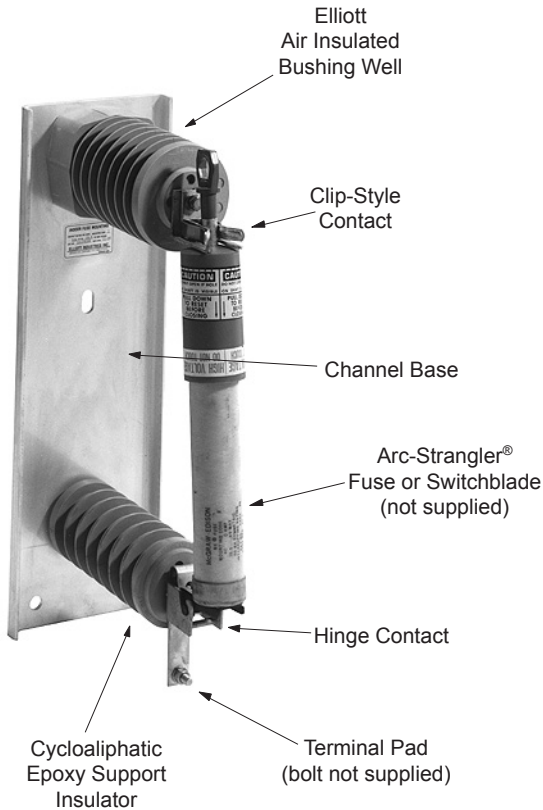


**Single Fuse  
Hinge-Style Mounting**

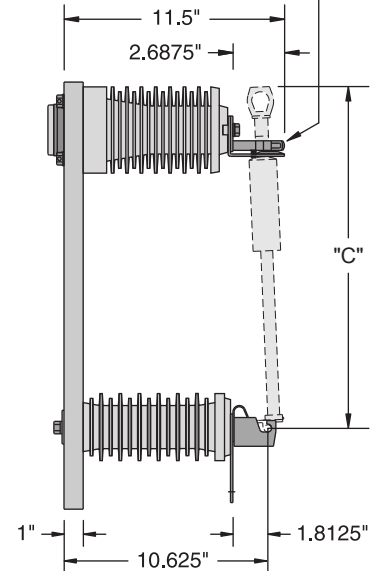
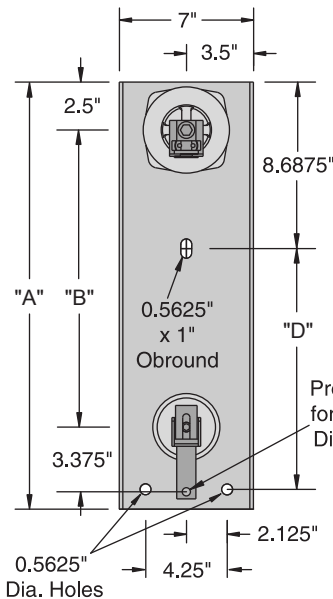


A 5 x 3.5 inch label with the following wording accompanies all frame and box mounting assemblies: "WARNING - Shock Hazard! Fuse or Switch may be live in open position."



200 Amp Bushing Well per IEEE Standard 386 (Fig. 3) provides for connection to the electrical system with loadbreak separable insulated connectors (loadbreak inserts & elbows).

Clearance from contact clip to ground in any direction for Arc-Strangler® sleeve operation:  
15.5 kV - 8" 8.3 kV - 6"



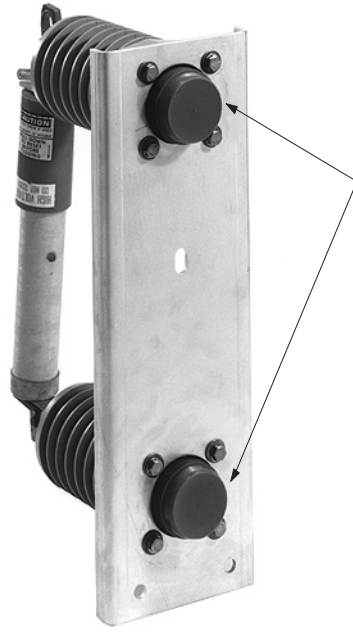
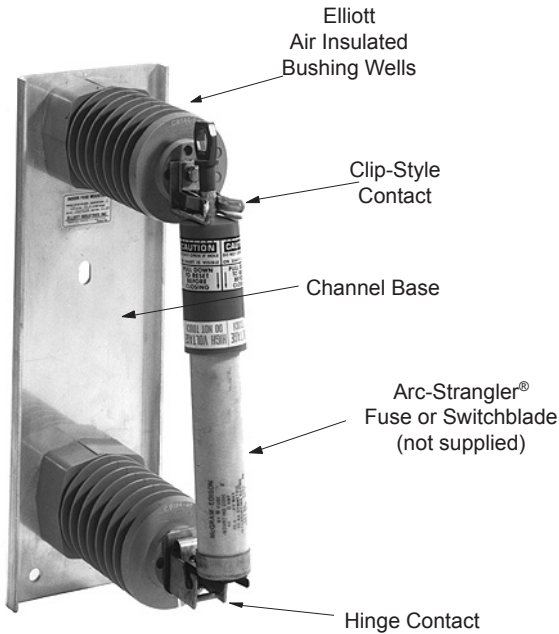
**Ratings and Dimensions of Channel-Based Mountings for Hinge-Style NX® Fuses  
(with Arc-Strangler® Loadbreaking Device) or Arc-Strangler® Switchblade**

Maximum Voltage kV	Max. Fuse Voltage kV	BIL kV	Description	Mounting Code Number*	Catalog Number	Dimensions Inches					
						110° Opening	"A"	"B"	"C"	"D"	"E"
8.3/14.4 Grd. Wye	8.3	95	Single-pole Mounting	1	EB1FA1D1	22.25	11.125	13.3125	12.5625	-	-
14.4/24.9 Grd. Wye	15.5	125		2	EB1FA1D4	22.25	15.5	17.8125	12.5625	-	-

\*Code Number of Mounting must match Code Number of Fuse or Switchblade

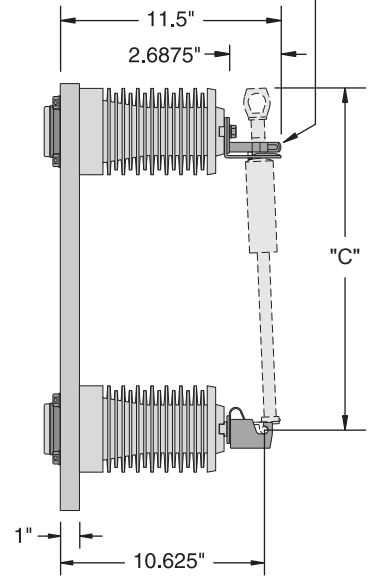
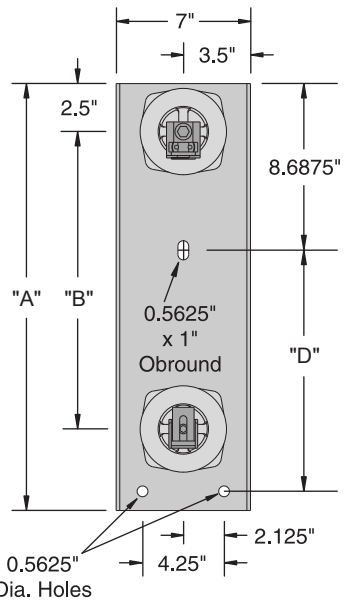
NX® and Arc-Strangler® are registered trademarks of Eaton in the U.S. and other countries

### Single Fuse Hinge-Style Mounting



200 Amp Bushing Well per IEEE Standard 386 (Fig. 3) provides for connection to the electrical system with loadbreak separable insulated connectors (loadbreak inserts & elbows).

Clearance from contact clip to ground in any direction for Arc-Strangler® sleeve operation:  
15.5 kV - 8"    8.3 kV - 6"



A 5 x 3.5 inch label with the following wording accompanies all frame and box mounting assemblies: "WARNING - Shock Hazard! Fuse or Switch may be live in open position."

### Ratings and Dimensions of Channel-Based Mountings for Hinge-Style NX® Fuses (with Arc-Strangler® Loadbreaking Device) or Arc-Strangler® Switchblade

Maximum Voltage kV	Max. Fuse Voltage kV	BIL kV	Description	Mounting Code Number*	Catalog Number	Dimensions Inches					
						110° Opening	"A"	"B"	"C"	"D"	"E"
8.3/14.4 Grd. Wye	8.3	95	Single-pole Mounting	1	EB1FA1D1	22.25	11.125	13.3125	12.5625	-	-
14.4/24.9 Grd. Wye	15.5	125		2	EB1FA1D4	22.25	15.5	17.8125	12.5625	-	-

\*Code Number of Mounting must match Code Number of Fuse or Switchblade

NX® and Arc-Strangler® are registered trademarks of Eaton in the U.S. and other countries