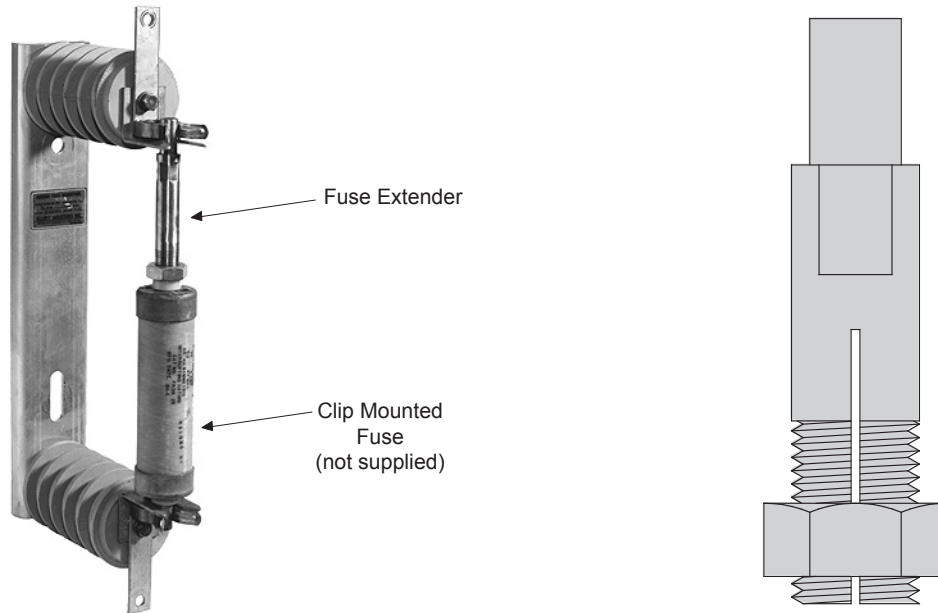


Fuse Extender For Clip Mounted Fuses



The Elliott Fuse Extender is designed to allow a clip mounted fuse to be placed in a mounting larger than the fuse. *For example: a CM5-6 Fuse Extender will allow a Code 5 Fuse to fit switchgear with mountings designed for Code 6 Fuses.*

Installation is simple requiring only two adjustable wrenches. The top contact of the fuse is inserted in the open end of the Fuse Extender. The compression nut is then tightened. To remove the extender, merely loosen the compression nut until it bottoms against the top of the fuse and pull the extender off.

Catalog Number	Extends Fuse Code	to	Fit Mounting Code
3901-CM4-5	4		5
3901-CM4-6	4		6
3901-CM4-9	4		9
3901-CM4-10	4		10
3901-CM5-6	5		6
3901-CM5-9	5		9
3901-CM5-10	5		10
3901-CM6-9	6		9
3901-CM6-10	6		10
3901-CM9-10	9		10



Fuse Extender
For Clip Mounted Fuses

Descriptive
Bulletin
3901
Page 2 2015

**If you do not find the design
you need
PLEASE CONTACT
our REPRESENTATIVE or the FACTORY**