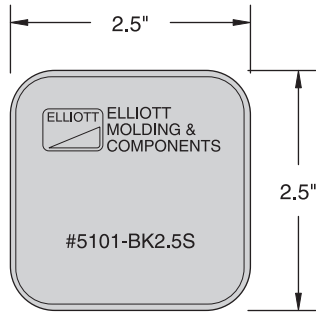
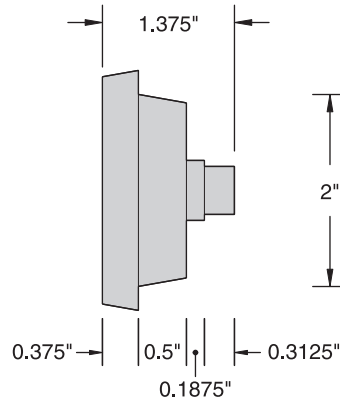


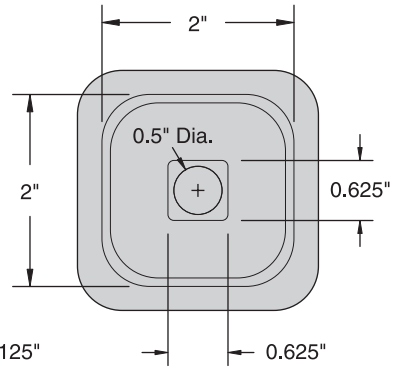
# #5101-BK2.5S Cycloaliphatic Epoxy Door Safety Barrier Knob



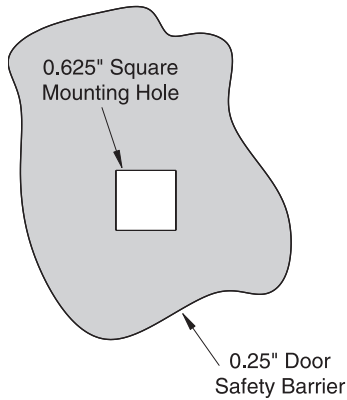
**Front View**



**Side View**

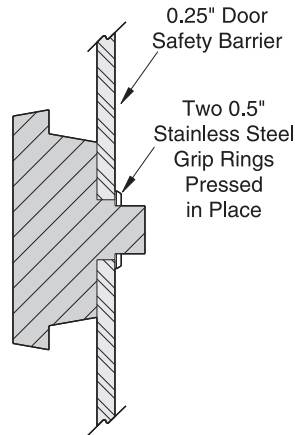


**Rear View**

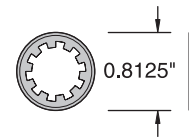


**Mounting Provision for  
Elliott Barrier Knob**

Square Mounting Provision  
Prevents Rotation  
of the Barrier Knob



**Section of  
Mounted Knob**



**Two 0.5" ID  
Stainless Steel  
Grip Rings  
Required**



**#5101-BK2.5S Cycloaliphatic Epoxy  
Door Safety Barrier Knob**

Descriptive  
Bulletin  
**5101**  
Page 2 2015

**If you do not find the design  
you need**

**PLEASE CONTACT**

**our REPRESENTATIVE or the FACTORY**