



15-kV and 25-kV Thru-Bus Support

Indoor - Outdoor
Four Bolt Series for 0.375"-16 Bolts

Descriptive
Bulletin

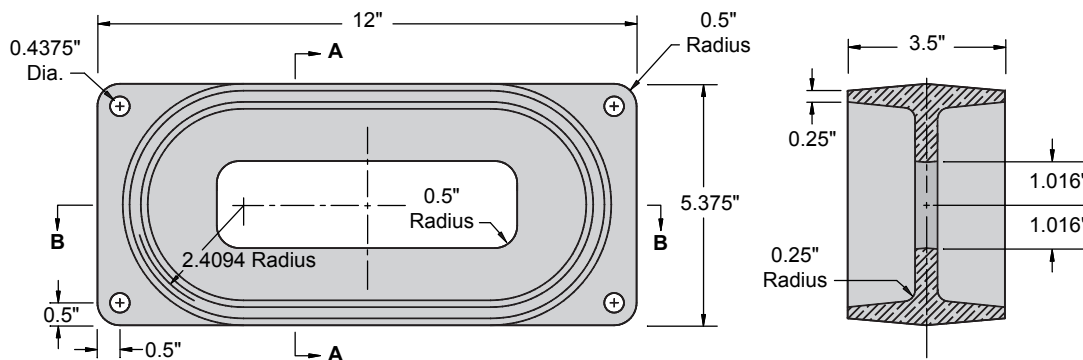
5501

Page 1 2015



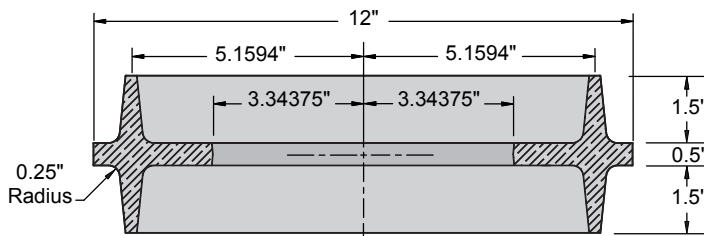
Elliott Four Bolt Series Thru-Bus Supports are used to support bus bars in air insulated metal-enclosed and metal-clad switchgear and other equipment. This compact design may be used as a direct replacement for porcelain and non-porcelain bus supports. It can be mounted in any position. Utilizing one of the EPDM Rubber Inserts listed below, the thru-bus support will accept one or two four-inch or six-inch insulated bus bars. High compression strength and the other superior qualities of cycloaliphatic epoxy make the thru-bus support a high-performance component.

#5501-403.5x5.375x12 Thru-Bus Support

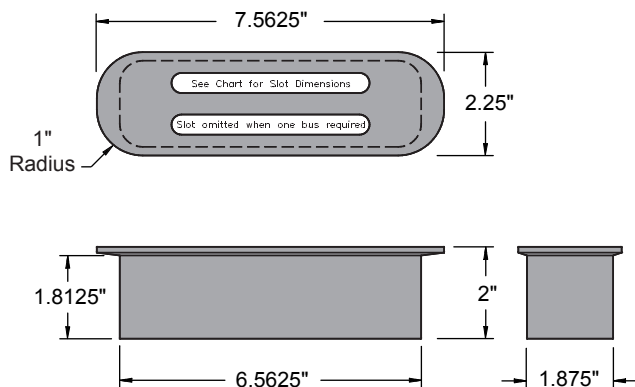


Front & Rear View

Section AA



Section BB



EPDM Rubber Insert

Catalog Number	Bus Inches	Slot Dimensions Inches
5500-1-0.25x4	One - 0.25 x 4	0.4375 x 4.25
5500-1-0.375x4	One - 0.375 x 4	0.5625 x 4.25
5500-1-0.375x6	One - 0.375 x 6	0.5625 x 6.25
5500-1-0.5x4	One - 0.5 x 4	0.6875 x 4.25
5500-1-0.5x6	One - 0.5 x 6	0.6875 x 6.25
5500-2-0.375x6	Two - 0.375 x 6	0.5625 x 6.25



15-kV and 25-kV Thru-Bus Support

Indoor - Outdoor
Four Bolt Series for 0.375"–16 Bolts

Descriptive
Bulletin

5501

Page 2 2015

ELRIM Cycloaliphatic Epoxy Provides:

- Nontracking, self-scouring, nonweathering performance
- Superior dielectric strength, dielectric loss and power factor
- Choice of shapes allows design innovation
- Mechanical and thermal toughness
- Shatter-free arc flashover performance
- Oil resistant

Elliott Design Provides:

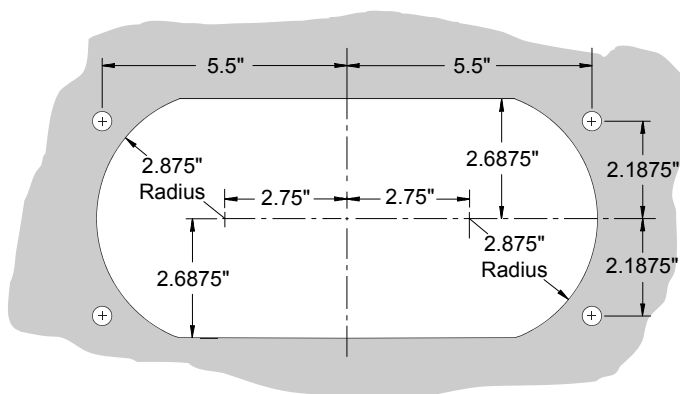
- "Bolt In" design
- Contamination resistant Elliott square-edge skirts
- Generous dry arcing (strike) distance
- Thermal cycling withstand from +200° F to -200° F
- Experience with cycloaliphatic epoxy since 1975

Installation Instructions

Elliott Four Bolt Series Thru-Bus Supports require the minimum size mounting hole shown below with four 0.4375" diameter bolt holes. The thru-bus support bolts in place utilizing four 0.375"–16 x 1.25" bolts with flat washers, lock washers and hex nuts.

15-kV and 25-kV Thru-Bus Supports mount on either side of the mounting hole. When installed in a 0.125-inch panel, one side of the thru-bus support extends 1.375 inches and the other side extends 2 inches.

1. The thru-bus support installs from either side for easy installation.
2. Bolts, flat washers, lock washers and hex nuts are installed. The bolts should be tightened in a uniform manner (rather than one-by-one in a random sequence). Do not apply more than 90 inch-pounds torque to each bolt.
3. The EPDM Rubber Insert is pressed in place and the bus bar may be inserted through the insert.



**Minimum Opening for
#5501-403.5x5.375x12
Thru-Bus Support**

